

TO-92 Plastic-Encapsulate Transistors

BF483/BF485/BF487 TRANSISTOR (NPN)

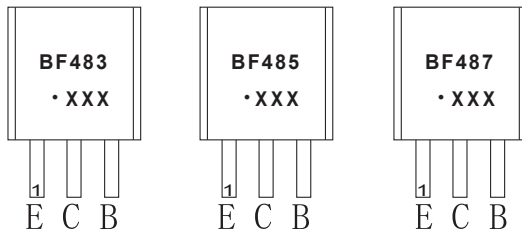
FEATURES

- Low Feedback Capacitance

APPLICATIONS

- Intended for Use in Video Output Stages in Black-and-white and in Colour Television Receivers.

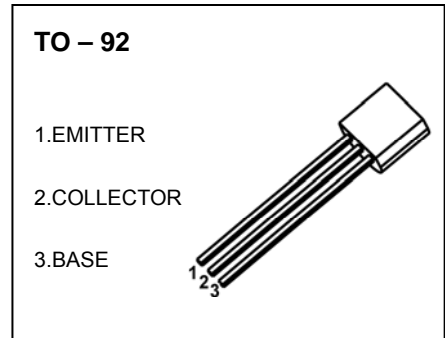
MARKING



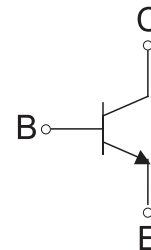
BF483,BF485,BF487=Device code

Solid dot=Green molding compound device, if none,the normal device

XXX=Code



Equivalent Circuit



ORDERING INFORMATION

Part Number	Package	Packing Method	Pack Quantity
BF483	TO-92	Bulk	1000pcs/Bag
BF483-TA	TO-92	Tape	2000pcs/Box
BF485	TO-92	Bulk	1000pcs/Bag
BF485-TA	TO-92	Tape	2000pcs/Box
BF487	TO-92	Bulk	1000pcs/Bag
BF487-TA	TO-92	Tape	2000pcs/Box

MAXIMUM RATINGS (T_a=25°C unless otherwise noted)

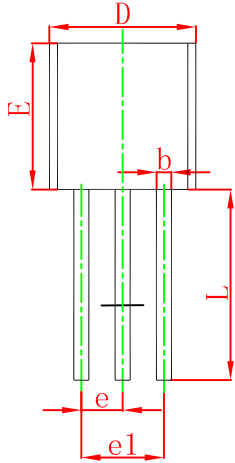
Symbol	Parameter	Value	Unit
V _{CBO}	Collector-Base Voltage	BF483	300
		BF485	350
		BF487	400
V _{CEO}	Collector-Emitter Voltage	BF483	250
		BF485	300
		BF487	350
V _{EBO}	Emitter-Base Voltage	5	V
I _C	Collector Current	0.1	A
P _C	Collector Power Dissipation	830	mW
R _{θJA}	Thermal Resistance From Junction To Ambient	150	°C /W
T _J ,T _{stg}	Operation Junction and Storage Temperature Range	-55~+150	°C

ELECTRICAL CHARACTERISTICS

$T_a=25^\circ\text{C}$ unless otherwise specified

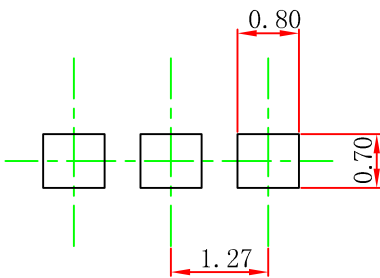
Parameter	Symbol	Test conditions	Min	Typ	Max	Unit
Collector-base breakdown voltage	$V_{(BR)CBO}$	$I_C=100\mu\text{A}, I_E=0$	BF483	300		V
			BF485	350		
			BF487	400		
Collector-emitter breakdown voltage	$V_{(BR)CEO}$	$I_C=1\text{mA}, I_B=0$	BF483	250		V
			BF485	300		
			BF487	350		
Emitter-base breakdown voltage	$V_{(BR)EBO}$	$I_E=100\mu\text{A}, I_C=0$	5			V
Collector cut-off current	I_{CBO}	$V_{CB}=300\text{V}, I_E=0$			20	nA
Emitter cut-off current	I_{EBO}	$V_{EB}=5\text{V}, I_C=0$			0.1	μA
DC current gain	$h_{FE(1)}$	$V_{CE}=20\text{V}, I_C=25\text{mA}$	50			
	$h_{FE(2)}$	$V_{CE}=20\text{V}, I_C=40\text{mA}$	20			
Collector-emitter saturation voltage	$V_{CE(sat)}$	$I_C=30\text{mA}, I_B=5\text{mA}$			0.6	V
Transition frequency	f_T	$V_{CE}=10\text{V}, I_C=10\text{mA}, f=100\text{MHz}$	70			MHz
Collector output capacitance	C_{ob}	$V_{CB}=30\text{V}, I_E=0, f=1\text{MHz}$			1.4	pF

TO-92 Package Outline Dimensions



Symbol	Dimensions In Millimeters		Dimensions In Inches	
	Min	Max	Min	Max
A	3.300	3.700	0.130	0.146
A1	1.100	1.400	0.043	0.055
b	0.380	0.550	0.015	0.022
c	0.360	0.510	0.014	0.020
D	4.300	4.700	0.169	0.185
D1	3.430		0.135	
E	4.300	4.700	0.169	0.185
e	1.270 TYP		0.050 TYP	
e1	2.440	2.640	0.096	0.104
L	14.100	14.500	0.555	0.571
Φ		1.600		0.063
h	0.000	0.380	0.000	0.015

TO-92 Suggested Pad Layout



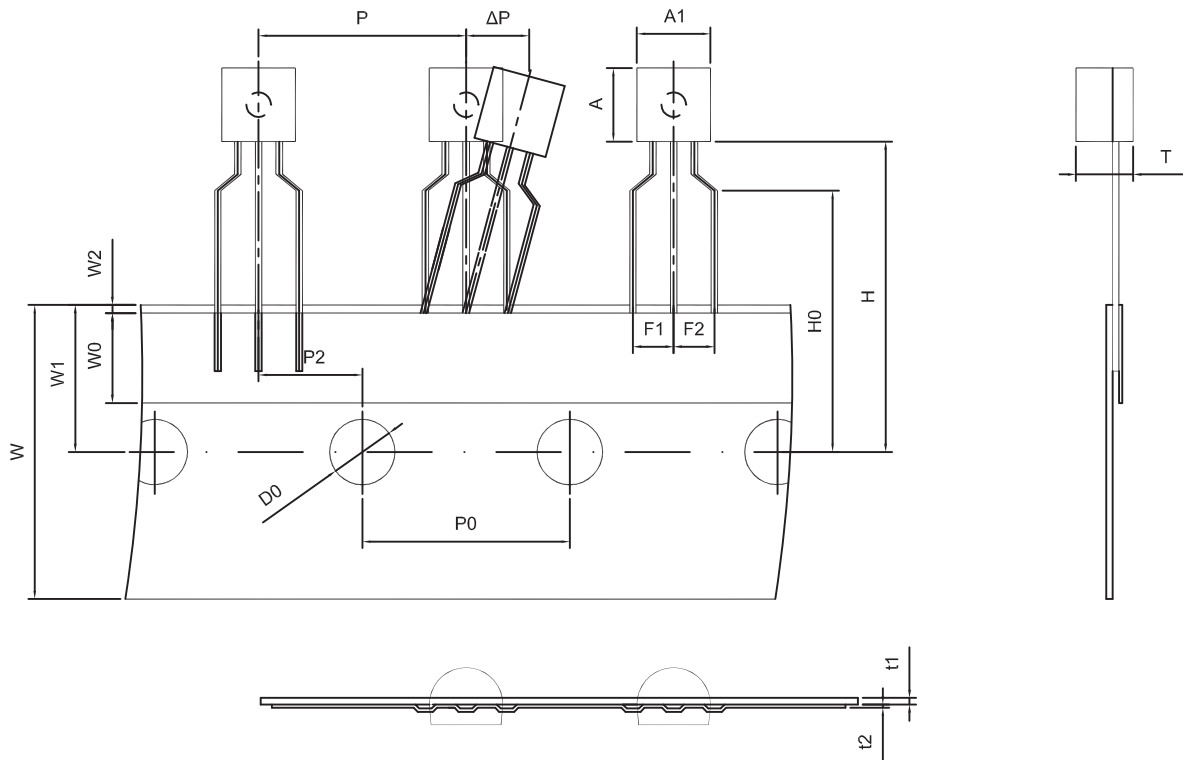
Note:

1. Controlling dimension: in millimeters.
2. General tolerance: $\pm 0.05\text{mm}$.
3. The pad layout is for reference purposes only.

NOTICE

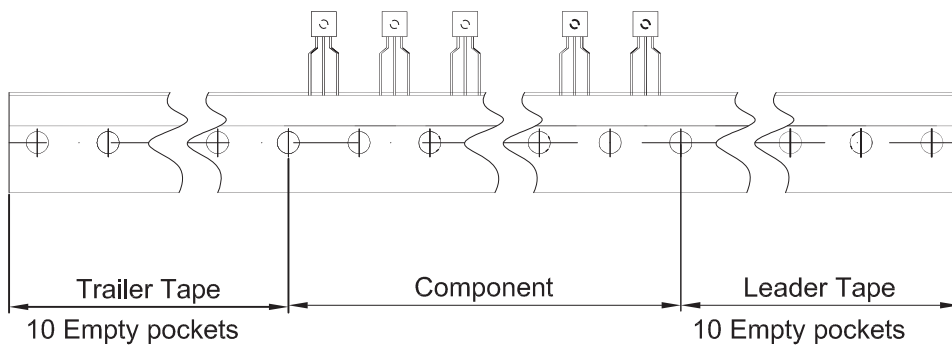
JSCJ reserves the right to make modifications, enhancements, improvements, corrections or other changes without further notice to any product herein. JSCJ does not assume any liability arising out of the application or use of any product described herein.

TO-92 PACKAGE TAPING DIMENSION



Dimensions are in millimeter

A1	A	T	P	P0	P2	F1	F2	W
4.5	4.5	3.5	12.7	12.7	6.35	2.5	2.5	18.0
W0	W1	W2	H	H0	D0	t1	t2	ΔP
6.0	9.0	1.0 MAX.	19.0	16.0	4.0	0.4	0.2	0



Package	Box	Box Size(mm)	Carton	Carton Size(mm)
TO-92	2000 pcs	333×162×43	20,000 pcs	350×340×250