

## SOD-123 Plastic-Encapsulate Diodes

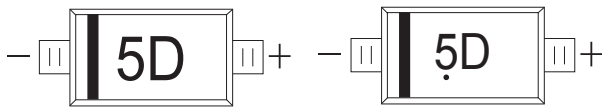
### MMSD914

SMALL SIGNAL DIODE

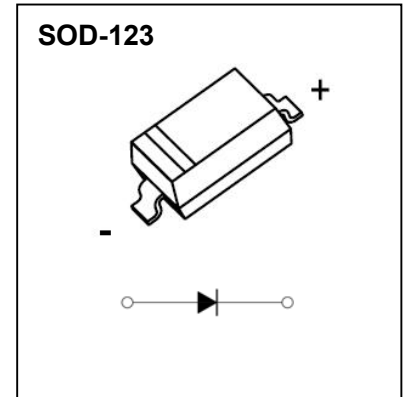
#### FEATURES

- High Voltage

#### MARKING: 5D



The marking bar indicates the cathode  
Solid dot = Green molding compound device,  
if none, the normal device.



#### MAXIMUM RATINGS ( $T_a=25^\circ\text{C}$ unless otherwise noted )

Symbol	Parameter	Value	Unit
$V_{RRM}$	Maximum Repetitive Reverse Voltage	100	V
$I_O$	Forward Current	0.2	A
$I_{FSM}$	Non-repetitive Peak Forward Surge Current @ $t=8.3\text{ms}$	2	
$P_D$	Power Dissipation	400	mW
$R_{\theta JA}$	Thermal Resistance from Junction to Ambient	312	$^\circ\text{C/W}$
$T_j, T_{stg}$	Operation Junction and Storage Temperature Range	-55~+150	$^\circ\text{C}$

#### ELECTRICAL CHARACTERISTICS ( $T_a=25^\circ\text{C}$ unless otherwise specified)

Parameter	Symbol	Test conditions	Min	Typ	Max	Unit
Reverse voltage	$V_{(BR)}$	$I_R=100\mu\text{A}$	100			V
Reverse current	$I_R$	$V_R=20\text{V}$			25	nA
		$V_R=75\text{V}$			5	$\mu\text{A}$
Forward voltage	$V_F$	$I_F=10\text{mA}$			1	V
Total capacitance	$C_{tot}$	$V_R=0\text{V}, f=1\text{MHz}$			4	pF
Reverse recovery time	$t_{rr}$	$I_F=I_R=10\text{mA}, I_{rr}=0.1 \times I_R, R_L=100\Omega$			4	ns





