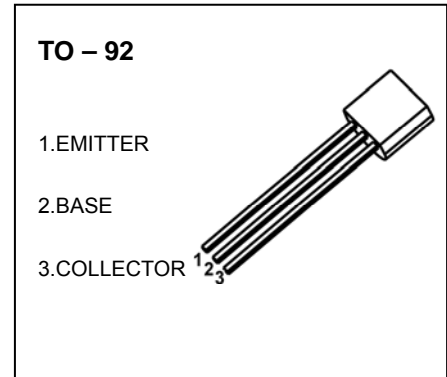


TO-92 Plastic-Encapsulate Transistors

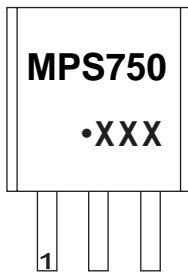
MPS750 TRANSISTOR (PNP)

FEATURES

- General Purpose Amplifier

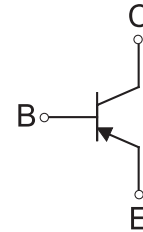


MARKING



MPS750=Device code
Solid dot = Green molding compound device,
if none, the normal device
XXX=Code

Equivalent Circuit



ORDERING INFORMATION

Part Number	Package	Packing Method	Pack Quantity
MPS750	TO-92	Bulk	1000pcs/Bag
MPS750-TA	TO-92	Tape	2000pcs/Box

MAXIMUM RATINGS (T_a=25°C unless otherwise noted)

Symbol	Parameter	Value	Unit
V _{CBO}	Collector-Base Voltage	-60	V
V _{CEO}	Collector-Emitter Voltage	-40	V
V _{EBO}	Emitter-Base Voltage	-5	V
I _C	Collector Current -Continuous	-2	A
P _C	Collector Power Dissipation	625	mW
R _{θJA}	Thermal Resistance From Junction To Ambient	200	°C/W
T _J , T _{stg}	Operation Junction and Storage Temperature Range	-55~+150	°C

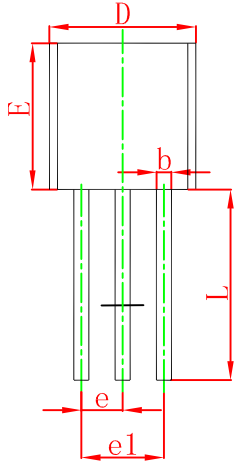
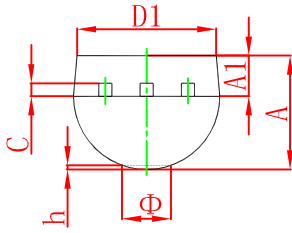
ELECTRICAL CHARACTERISTICS

$T_a=25^\circ\text{C}$ unless otherwise specified

Parameter	Symbol	Test conditions	Min	Typ	Max	Unit
Collector-base breakdown voltage	$V_{(BR)CBO}$	$I_C = -0.1\text{mA}, I_E = 0$	-60			V
Collector-emitter breakdown voltage	$V_{(BR)CEO}^*$	$I_C = -10\text{mA}, I_B = 0$	-40			V
Emitter-base breakdown voltage	$V_{(BR)EBO}$	$I_E = -0.01\text{mA}, I_C = 0$	-5			V
Collector cut-off current	I_{CBO}	$V_{CB} = -60\text{V}, I_E = 0$			-0.1	μA
Emitter cut-off current	I_{EBO}	$V_{EB} = -4\text{V}, I_C = 0$			-0.1	μA
DC current gain	$h_{FE(1)}^*$	$V_{CE} = -2\text{V}, I_C = -50\text{mA}$	75			
	$h_{FE(2)}^*$	$V_{CE} = -2\text{V}, I_C = -500\text{mA}$	75		400	
	$h_{FE(3)}^*$	$V_{CE} = -2\text{V}, I_C = -1\text{A}$	75			
	$h_{FE(4)}^*$	$V_{CE} = -2\text{V}, I_C = -2\text{A}$	40			
Collector-emitter saturation voltage	$V_{CE(sat)(1)}^*$	$I_C = -2\text{A}, I_B = -200\text{mA}$			-0.5	V
	$V_{CE(sat)(2)}^*$	$I_C = -1\text{A}, I_B = -100\text{mA}$			-0.3	V
Base-emitter saturation voltage	$V_{BE(sat)}^*$	$I_C = -1\text{A}, I_B = -100\text{mA}$			-1.2	V
Base-emitter voltage	V_{BE}^*	$I_C = -1\text{A}, V_{CE} = -2\text{V}$			-1.0	V
Transition frequency	f_T	$V_{CE} = -5\text{V}, I_C = -50\text{mA}, f = 100\text{MHz}$	75			MHz

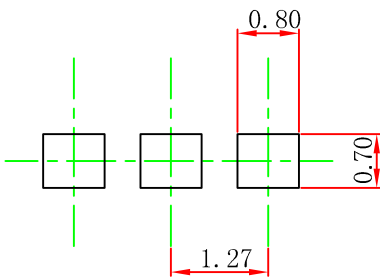
*Pulse test: pulse width $\leq 300\mu\text{s}$, duty cycle $\leq 2.0\%$.

TO-92 Package Outline Dimensions



Symbol	Dimensions In Millimeters		Dimensions In Inches	
	Min	Max	Min	Max
A	3.300	3.700	0.130	0.146
A1	1.100	1.400	0.043	0.055
b	0.380	0.550	0.015	0.022
c	0.360	0.510	0.014	0.020
D	4.300	4.700	0.169	0.185
D1	3.430		0.135	
E	4.300	4.700	0.169	0.185
e	1.270 TYP		0.050 TYP	
e1	2.440	2.640	0.096	0.104
L	14.100	14.500	0.555	0.571
Φ		1.600		0.063
h	0.000	0.380	0.000	0.015

TO-92 Suggested Pad Layout



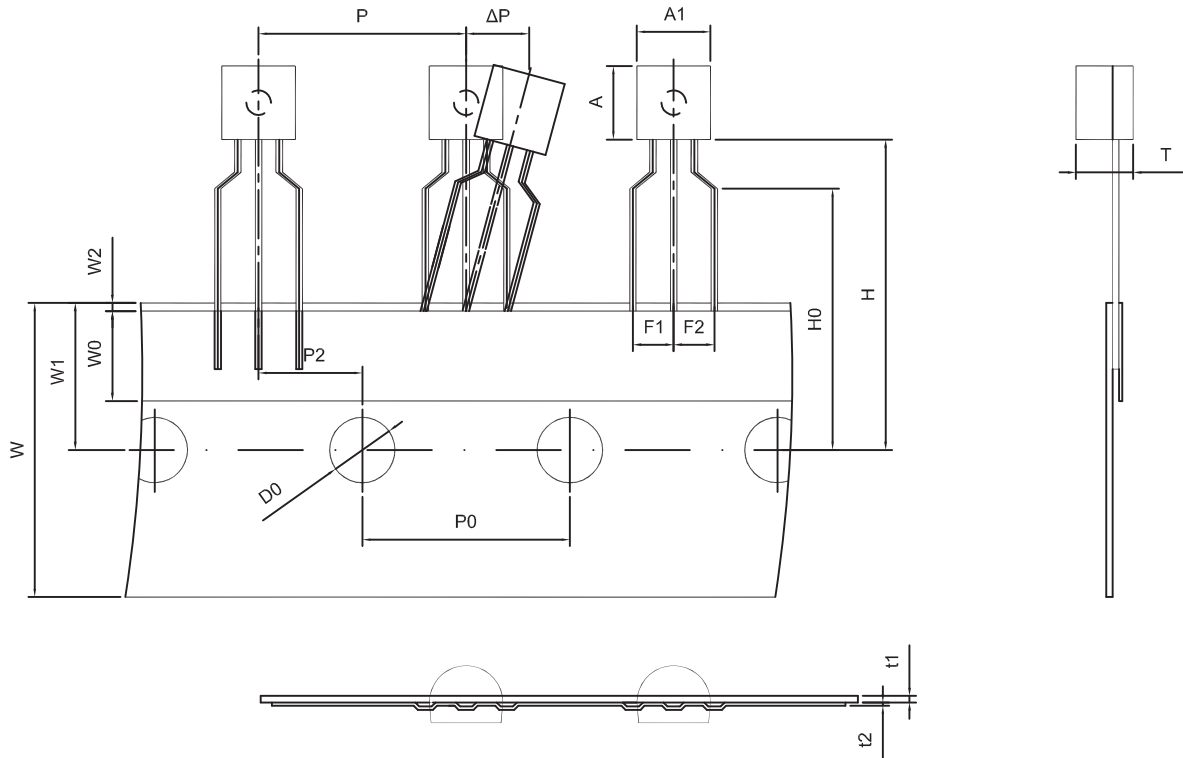
Note:

1. Controlling dimension: in millimeters.
2. General tolerance: $\pm 0.05\text{mm}$.
3. The pad layout is for reference purposes only.

NOTICE

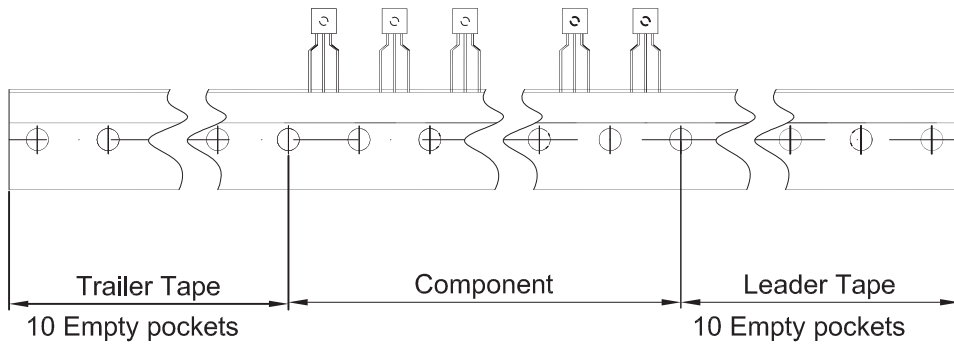
JSCJ reserves the right to make modifications, enhancements, improvements, corrections or other changes without further notice to any product herein. JSCJ does not assume any liability arising out of the application or use of any product described herein.

TO-92 Tape and Reel



Dimiensions are in millimeter

A1	A	T	P	P0	P2	F1	F2	W
4.5	4.5	3.5	12.7	12.7	6.35	2.5	2.5	18.0
W0	W1	W2	H	H0	D0	t1	t2	ΔP
6.0	9.0	1.0 MAX.	19.0	16.0	4.0	0.4	0.2	0



Package	Box	Box Size(mm)	Carton	Carton Size(mm)
TO-92	2000 pcs	333×162×43	20,000 pcs	350×340×250