

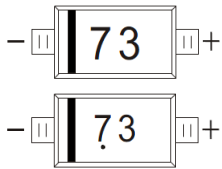
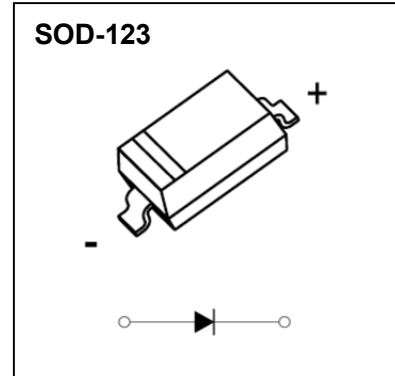
SOD-123 Plastic-Encapsulate Diodes

RB160M-30 SCHOTTKY BARRIER DIODE

FEATURES

- Small Current Rectification
- Low Voltage

MARKING: 73



The marking bar indicates the cathode

Solid dot = Green molding compound device, if none, the normal device.

MAXIMUM RATINGS ($T_a=25^\circ\text{C}$ unless otherwise noted)

Symbol	Parameter	Value	Unit
V_R	DC Blocking Voltage	30	V
I_o	Forward Current	1	A
I_{FSM}	Non-repetitive Peak Forward Surge Current @ $t=8.3\text{ms}$	15	
P_D	Power Dissipation	450	mW
$R_{\theta JA}$	Thermal Resistance from Junction to Ambient	222	$^\circ\text{C/W}$
T_j	Operating Junction Temperature Range	-40 ~ +125	$^\circ\text{C}$
T_{stg}	Storage Temperature Range	-55 ~ +150	$^\circ\text{C}$

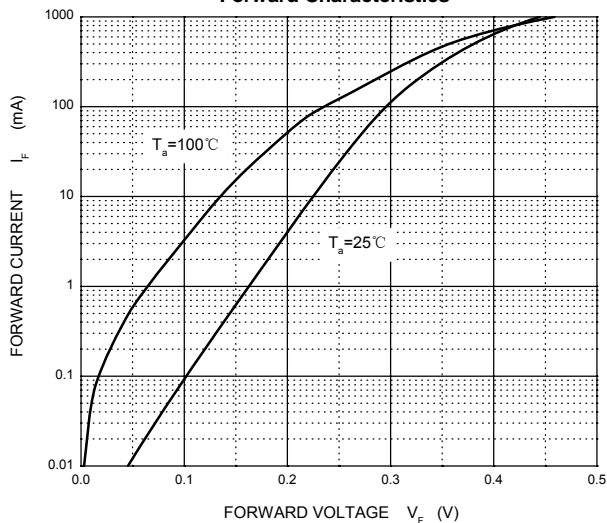
ELECTRICAL CHARACTERISTICS($T_a=25^\circ\text{C}$ unless otherwise specified)

Parameter	Symbol	Test conditions	Min	Typ	Max	Unit
Reverse current	I_R	$V_R=15\text{V}$			20	μA
		$V_R=30\text{V}$			50	μA
Forward voltage	$V_{F(1)}$	$I_F=500\text{mA}$			0.46	V
	$V_{F(2)}^*$	$I_F=1000\text{mA}$			0.48	

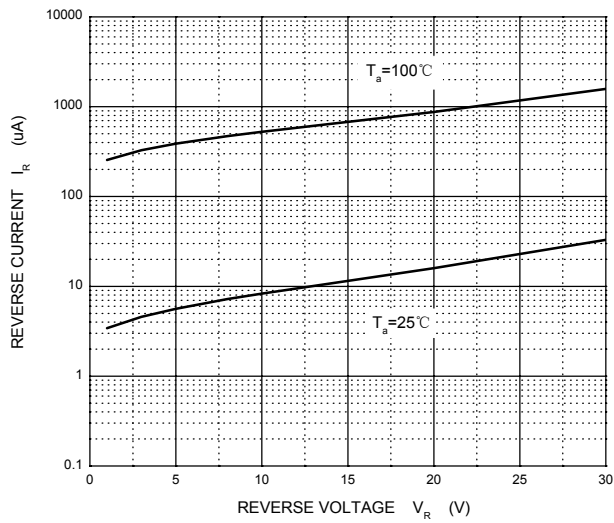
* Pulse test

Typical Characteristics

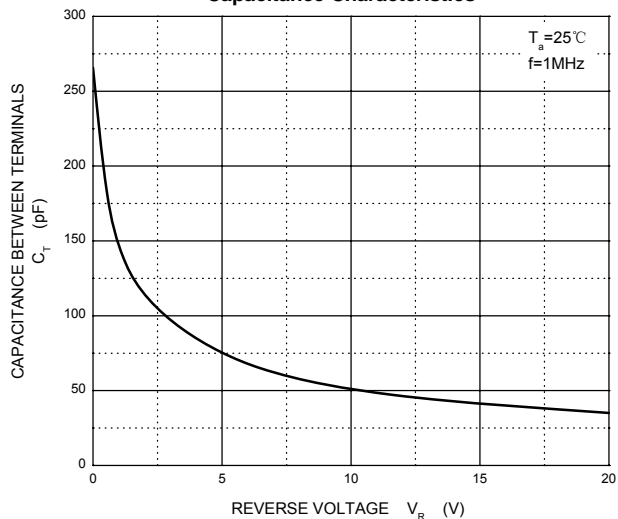
Forward Characteristics



Reverse Characteristics



Capacitance Characteristics



Power Derating Curve

