



■ Features

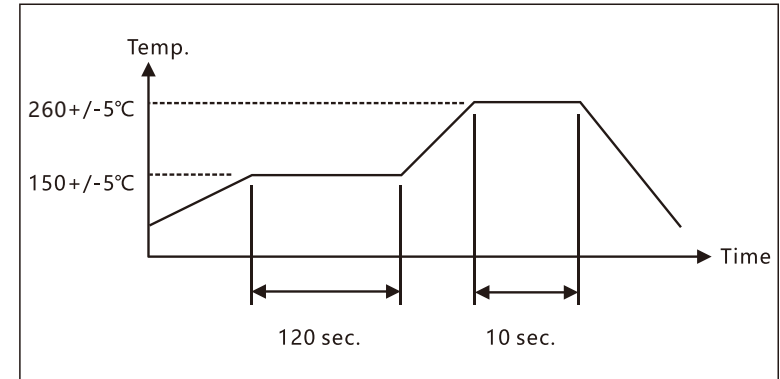
- > 1610 size ultra miniature and lightweight SMD tuning fork crystal resonator with a low profile of 0.5mm.
- > A ceramic package providing high precision and reliability.



■ Electrical Specifications

Item / Type	SMD CJ-1610
Nominal Frequency	32.768 KHz
Frequency Tolerance (at 25 °C)	± 20 ppm
Operating Temperature Range	-40 ~ +85°C or specify
Shunt Capacitance (C0)	1.3 pF typical
Motional Capacitance	6.0 fF typical
Insulation Resistance	500 MΩ Min.
Drive Level	0.5 μW Max.
Load Capacitance	12.5 pF
Peak Temperature (Frequency)	25°C ± 5°C
Frequency-Temperature Coefficient	-4*10 ⁻⁸ / °C ² Max.
Aging (at 25°C)	± 3 ppm / year Max.
Storage Temperature Range	-55 ~ +125°C

■ Reflow Condition



■ Dimensions

