



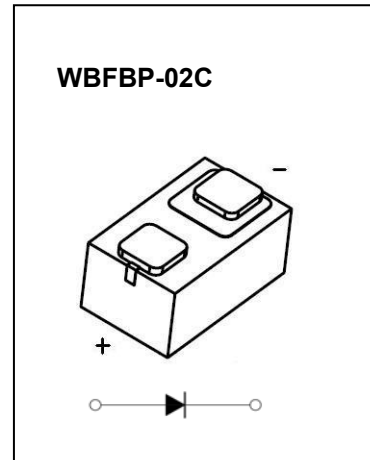
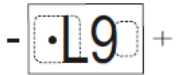
**WBFBP-02C Plastic-Encapsulate Diodes**

**DS54LED02** Schottky Barrier Diode

**FEATURES**

- Extremely Fast Switching Speed
- Low Forward Voltage

**MARKING: L9**



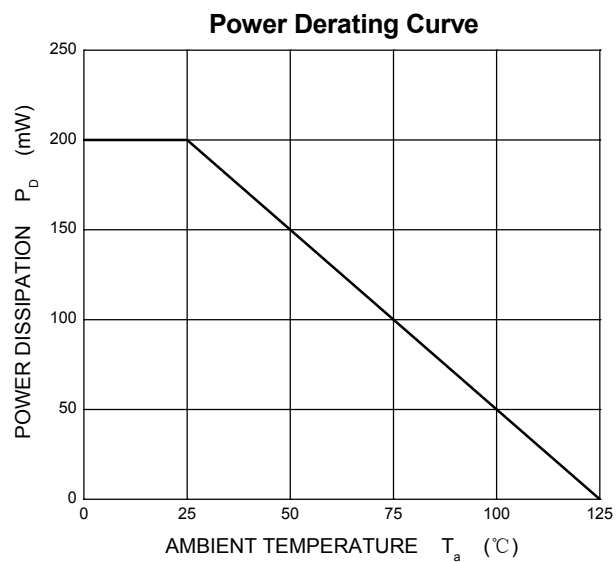
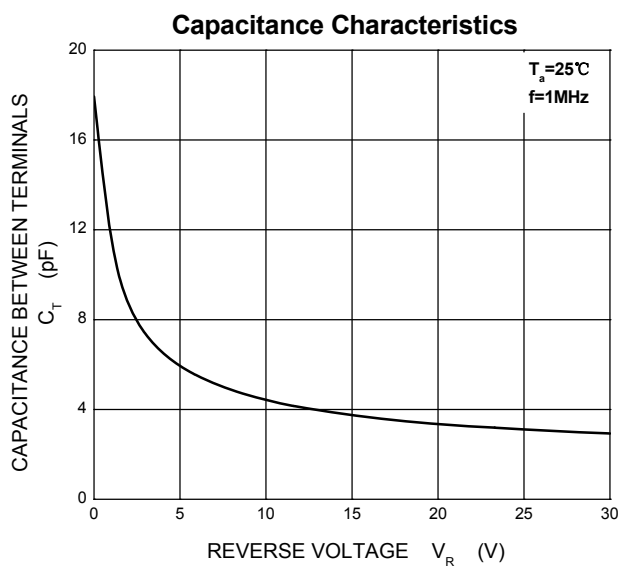
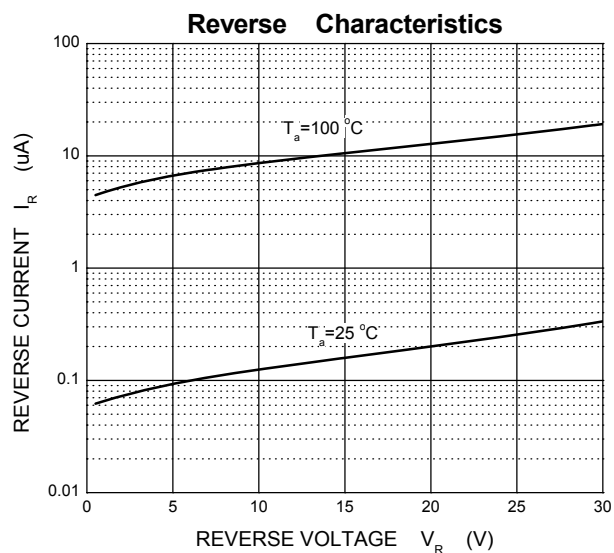
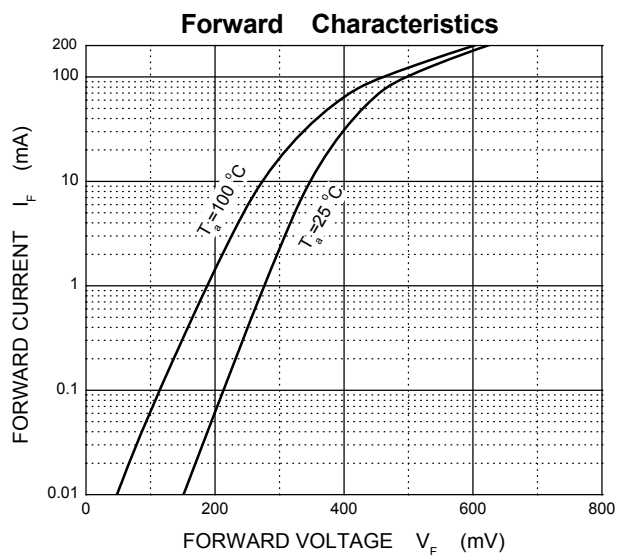
**Maximum Ratings @T<sub>a</sub>=25°C**

Parameter	Symbol	Limits	Unit
Non-Repetitive Peak reverse voltage	V <sub>RM</sub>	30	V
DC Blocking Voltage	V <sub>R</sub>	21	V
Average Rectified Output Current	I <sub>O</sub>	100	mA
Forward continuous Current	I <sub>F</sub>	200	mA
Repetitive peak Forward Current	I <sub>FRM</sub>	300	mA
Non-repetitive Peak Forward Surge Current @t=8.3ms	I <sub>FSM</sub>	600	mA
Power Dissipation	P <sub>d</sub>	200	mW
Thermal resistance, junction to ambient air	R <sub>θJA</sub>	625	°C/W
Operating Junction Temperature Range	T <sub>J</sub>	-40 ~ +125	°C
Storage Temperature Range	T <sub>STG</sub>	-55 ~ +150	°C

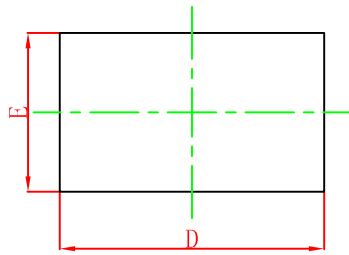
**Electrical Characteristics @T<sub>a</sub>=25°C**

Parameter	Symbol	Conditions	Min	Typ	Max	Unit
Reverse Breakdown Voltage	V <sub>(BR)R</sub>	I <sub>R</sub> =100μA	30			V
Forward voltage	V <sub>F1</sub>	I <sub>F</sub> =0.1mA			240	mV
	V <sub>F2</sub>	I <sub>F</sub> =1.0mA			320	mV
	V <sub>F3</sub>	I <sub>F</sub> =10mA			400	mV
	V <sub>F4</sub>	I <sub>F</sub> =30mA			500	mV
	V <sub>F5</sub>	I <sub>F</sub> =100mA			1000	mV
Reverse current	I <sub>R</sub>	V <sub>R</sub> =25V			2.0	uA
Reverse recovery time	t <sub>rr</sub>	I <sub>F</sub> =10mA, I <sub>R</sub> =10mA to 1mA, R <sub>L</sub> =100Ω			5.0	ns
Capacitance between terminals	C <sub>T</sub>	V <sub>R</sub> =1V, f=1MHz			10	pF

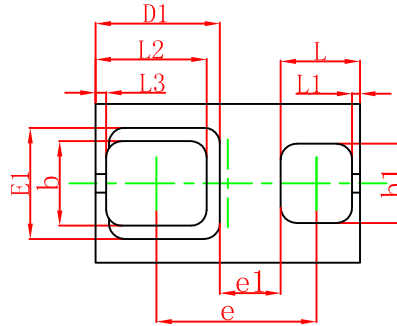
# Typical Characteristics



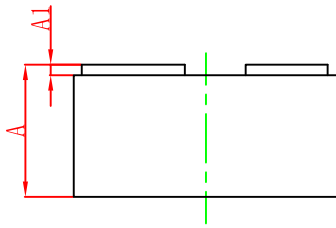
## WBFBP-02C Package Outline Dimensions



TOP VIEW



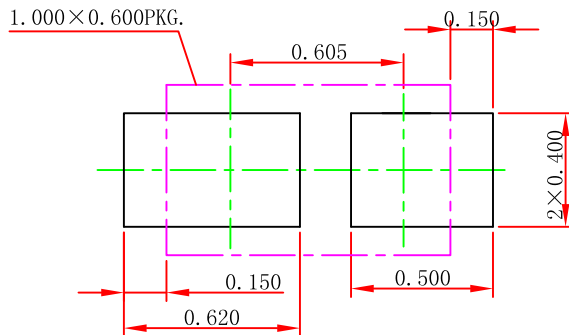
BOTTOM VIEW



SIDE VIEW

Symbol	Dimensions In Millimeters		Dimensions In Inches	
	Min.	Max.	Min.	Max.
A	0.450	0.550	0.018	0.022
A1	0.010	0.100	0.000	0.004
D	0.950	1.050	0.037	0.041
E	0.550	0.650	0.022	0.026
D1	0.470REF.		0.019REF.	
E1	0.420REF.		0.017REF.	
b	0.270	0.370	0.011	0.015
b1	0.250	0.350	0.010	0.014
e	0.555	0.655	0.022	0.026
e1	0.230REF.		0.009REF.	
L	0.250	0.350	0.010	0.014
L1	0.030REF.		0.001REF.	
L2	0.370	0.470	0.015	0.019
L3	0.040REF.		0.002REF.	

## WBFBP-02C Suggested Pad Layout



### Note:

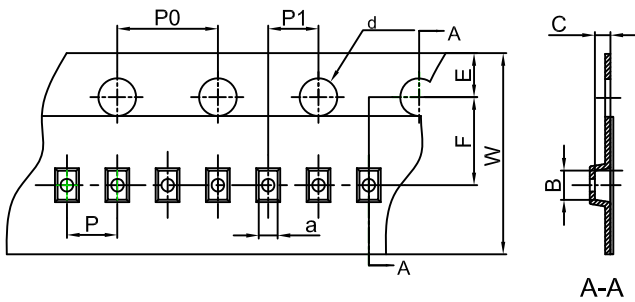
1. Controlling dimension: in millimeters.
2. General tolerance:  $\pm 0.050$ mm.
3. The pad layout is for reference purposes only.

### NOTICE

JSCJ reserves the right to make modifications, enhancements, improvements, corrections or other changes without further notice to any product herein. JSCJ does not assume any liability arising out of the application or use of any product described herein.

# DFN/FBP(1.0X0.6) Tape and Reel

## DFN/FBP(1.0×0.6) Embossed Carrier Tape

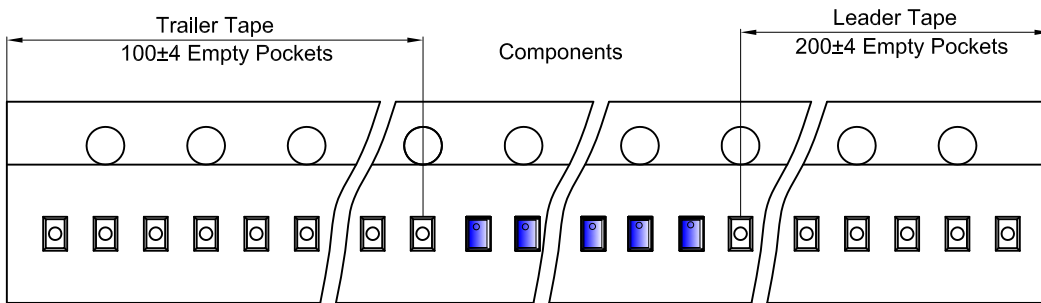


**Packaging Description:**

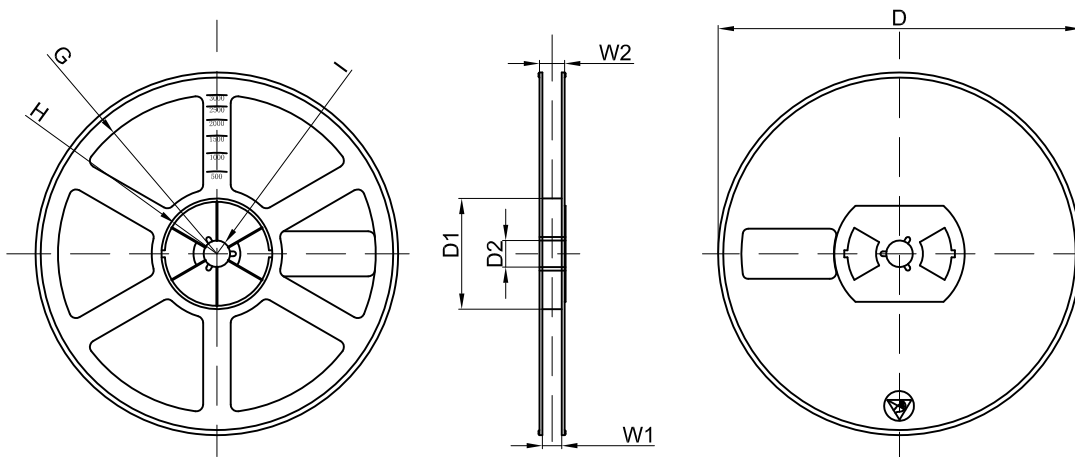
**DFN/FBP(1.0×0.6)** parts are shipped in tape. The carrier tape is made from a dissipative (carbon filled) polycarbonate resin. The cover tape is a multilayer film (Heat Activated Adhesive in nature) primarily composed of polyester film, adhesive layer, sealant, and anti-static sprayed agent. These reeled parts in standard option are shipped with 10,000 units per 7" or 17.8cm diameter reel. The reels are clear in color and is made of polystyrene plastic (anti-static coated).

Dimensions are in millimeter										
Pkg type	a	B	C	d	E	F	P0	P	P1	W
DFN/FBP(1.0×0.6)	0.66	1.15	0.66	Ø1.50	1.75	3.50	4.00	2.00	2.00	8.00

## DFN/FBP(1.0×0.6) Tape Leader and Trailer



## DFN/FBP(1.0×0.6) Reel



Dimensions are in millimeter								
Reel Option	D	D1	D2	G	H	I	W1	W2
7" Dia	Ø178.00	54.40	13.00	R78.00	R25.60	R6.50	9.50	12.30

REEL	Reel Size	Box	Box Size(mm)	Carton	Carton Size(mm)	G.W.(kg)
10000 pcs	7 inch	150,000 pcs	203×203×195	600,000 pcs	438×438×220	