

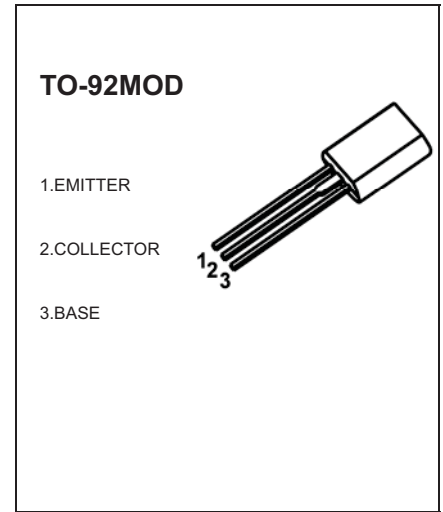


**TO-92MOD Plastic-Encapsulate Transistors**

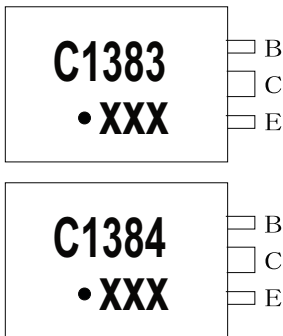
**2SC1383** TRANSISTOR (NPN)  
**2SC1384**

**FEATURES**

- Low Collector to Emitter Saturation Voltage  $V_{CE(sat)}$ .
- Complementary Pair with 2SA0683 and 2SA0684.

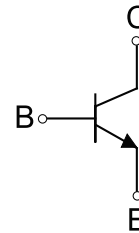


**MARKING**



C1383,C1384=Device code  
 Soliddot = Greenmolding compound device,  
 if none, the normal device  
 XXX=Code

**Equivalent Circuit**



**ORDERING INFORMATION**

Part Number	Package	Packing Method	Pack Quantity
2SC1383/2SC1384	TO-92MOD	Bulk	500pcs/Bag
2SC1383-TA/2SC1384-TA	TO-92MOD	Tape	2000pcs/Bo(

**MAXIMUM RATINGS (T<sub>a</sub>=25°C unless otherwise noted)**

Symbol	Parameter	2SC1383	2SC1384	Unit
V <sub>CB0</sub>	Collector-Base Voltage	30	60	V
V <sub>CE0</sub>	Collector-Emitter Voltage	25	50	V
V <sub>EB0</sub>	Emitter-Base Voltage	5		V
I <sub>C</sub>	Collector Current	1		A
P <sub>C</sub>	Collector Power Dissipation	1		W
R <sub>θJA</sub>	Thermal Resistance From Junction To Ambient	125		°C/W
T <sub>J</sub> , T <sub>stg</sub>	Operation Junction and Storage Temperature Range	-55~+150		°C

## ELECTRICAL CHARACTERISTICS

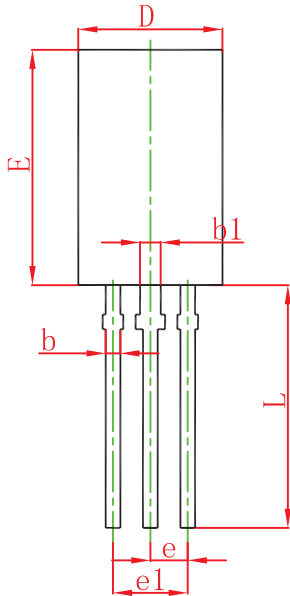
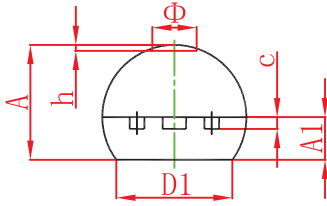
$T_a=25^\circ\text{C}$  unless otherwise specified

Parameter	Symbol	Test conditions	Min	T1!	Max	Unit
Collector-base breakdown voltage 2SC1383 2SC1384	$V_{(BR)CBO}$	$I_C=10\mu\text{A}, I_E=0$	30 60			V
Collector-emitter breakdown voltage 2SC1383 2SC1384	$V_{(BR)CEO}$	$I_C=2\text{mA}, I_B=0$	25 50			V
Emitter-base breakdown voltage	$V_{(BR)EBO}$	$I_E=10\mu\text{A}, I_C=0$	5			V
Collector cut-off current	$I_{CBO}$	$V_{CB}=20\text{V}, I_E=0$			0.1	$\mu\text{A}$
DC current gain	$h_{FE(1)}$	$V_{CE}=10\text{V}, I_C=500\text{mA}$	85		340	
	$h_{FE(2)}$	$V_{CE}=5\text{V}, I_C=1\text{A}$	50			
Collector-emitter saturation voltage	$V_{CE(sat)}$	$I_C=500\text{mA}, I_B=50\text{mA}$			0.4	V
Base-emitter saturation voltage	$V_{BE(sat)}$	$I_C=500\text{mA}, I_B=50\text{mA}$			1.2	V
Transition frequency	$f_T$	$V_{CE}=10\text{V}, I_C=50\text{mA}$		200		MHz

### CLASSIFICATION OF $h_{FE(1)}$

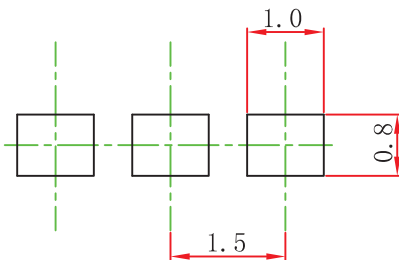
Rank	Q	R	S
Range	85-170	120-240	170-340

## TO-92MOD Package Outline Dimensions



Symbol	Dimensions In Millimeters		Dimensions In Inches	
	Min.	Max.	Min.	Max.
A	4.800	5.000	0.189	0.197
A1	1.730	2.030	0.068	0.080
b	0.440	0.600	0.017	0.024
b1	0.940	1.100	0.037	0.043
c	0.350	0.450	0.014	0.018
D	5.900	6.100	0.232	0.240
D1	4.000		0.157	
E	8.500	8.700	0.335	0.343
e	1.500 TYP.		0.059 TYP.	
e1	2.900	3.100	0.114	0.122
L	13.800	14.200	0.543	0.559
Φ		1.600		0.063
h	0.000	0.380	0.000	0.015

## TO-92MOD Suggested Pad Layout



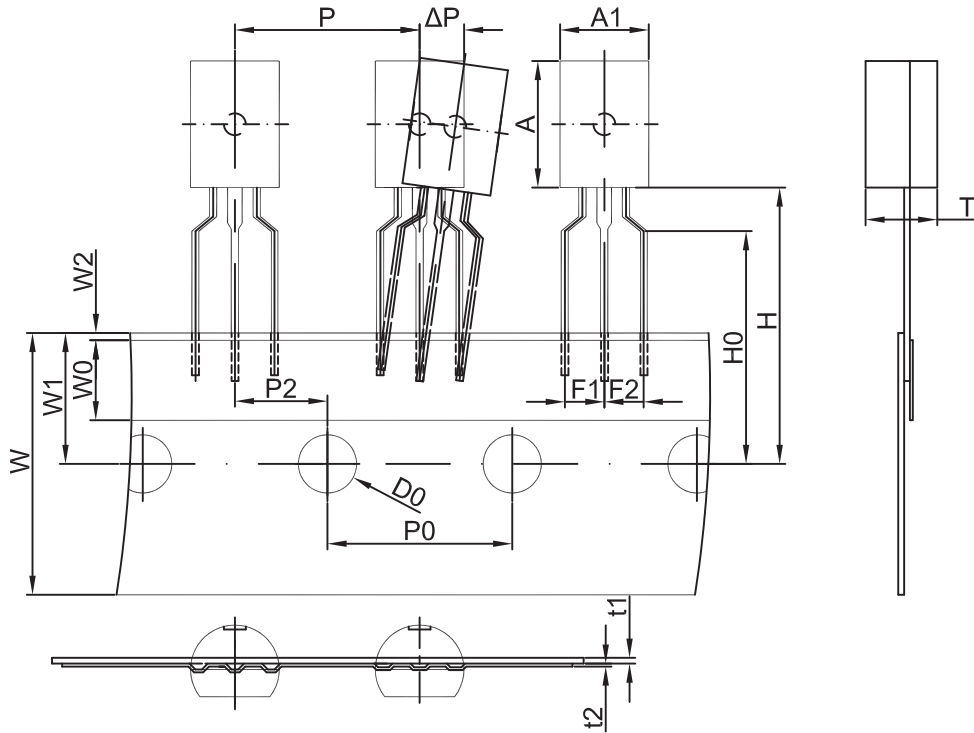
### Note:

1. Controlling dimension: in millimeters.
2. General tolerance:  $\pm 0.05$ mm.
3. The pad layout is for reference purposes only.

### NOTICE

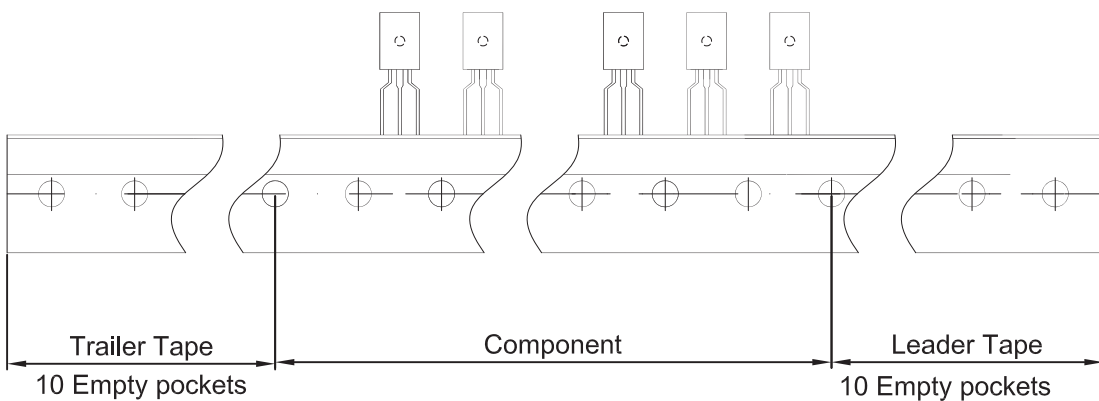
JSCJ reserves the right to make modifications, enhancements, improvements, corrections or other changes without further notice to any product herein. JSCJ does not assume any liability arising out of the application or use of any product described herein.

# TO-92MOD PACKAGE TAPING DIMENSION



Dimensions are in millimeter

A1	A	T	P	P0	P2	F1	F2	W
6.0	8.6	4.9	12.7	12.7	6.35	2.5	2.5	18.0
W0	W1	W2	H	H0	D0	t1	t2	ΔP
6.0	9.0	1.0	19.0	16.0	4.0	0.4	0.2	0



Package	Box	Box Size(mm)	Carton	Carton Size(mm)
TO-92MOD	2000 pcs	333×245×43	20,000 pcs	573×404×266