

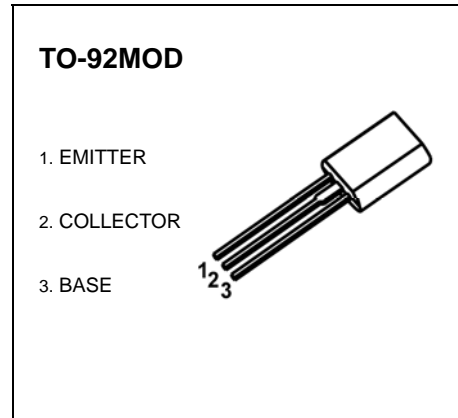


TO-92MOD Plastic-Encapsulate Transistors

2SC2383 TRANSISTOR (NPN)

FEATURE

- High Voltage: $V_{CE0}=160V$
- Large Continuous Collector Current Capability
- Complementary to 2SA1013

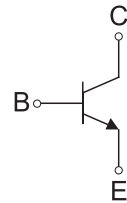


MARKING



C2383=Device code
 Solid dot= Green molding compound device,
 if none, the normal device
 XXX=Code

Equivalent Circuit



ORDERING INFORMATION

Part Number	Package	Packing Method	Pack Quantity
2SC2383	TO-92MOD	Bulk	500pcs/Bag
2SC2383-TA	TO-92MOD	Tape	2000pcs/Box

MAXIMUM RATINGS ($T_a=25\text{ }^\circ\text{C}$ unless otherwise noted)

Symbol	Parameter	Value	Unit
V_{CBO}	Collector-Base Voltage	160	V
V_{CEO}	Collector-Emitter Voltage	160	V
V_{EBO}	Emitter-Base Voltage	6	V
I_C	Collector Current -Continuous	1	A
P_C	Collector Power Dissipation	0.9	W
T_J, T_{stg}	Operation Junction and Storage Temperature Range	-55 to +150	$^\circ\text{C}$

ELECTRICAL CHARACTERISTICS

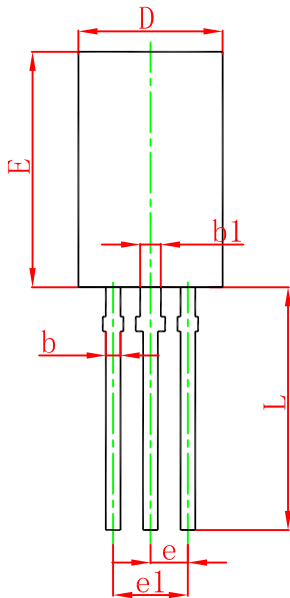
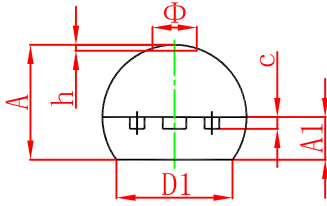
$T_a=25^\circ\text{C}$ unless otherwise specified

Parameter	Symbol	Test conditions	Min	Max	Unit
Collector-base breakdown voltage	$V(\text{BR})_{\text{CBO}}$	$I_{\text{C}}=100\mu\text{A}, I_{\text{E}}=0$	160		V
Collector-emitter breakdown voltage	$V(\text{BR})_{\text{CEO}}$	$I_{\text{C}}=10\text{mA}, I_{\text{B}}=0$	160		V
Emitter-base breakdown voltage	$V(\text{BR})_{\text{EBO}}$	$I_{\text{E}}=10\mu\text{A}, I_{\text{C}}=0$	6		V
Collector cut-off current	I_{CBO}	$V_{\text{CB}}=150\text{V}, I_{\text{E}}=0$		1	μA
Collector cut-off current	I_{CER}	$V_{\text{CB}}=150\text{V}, R_{\text{EB}}=10\text{M}\Omega$		10	μA
Emitter cut-off current	I_{EBO}	$V_{\text{EB}}=6\text{V}, I_{\text{C}}=0$		1	μA
DC current gain	h_{FE1}	$V_{\text{CE}}=5\text{V}, I_{\text{C}}=200\text{mA}$	60	320	
	h_{FE2}	$V_{\text{CE}}=5\text{V}, I_{\text{C}}=10\text{mA}$	40		
Collector-emitter saturation voltage	$V_{\text{CE(sat)}}$	$I_{\text{C}}=500\text{mA}, I_{\text{B}}=50\text{mA}$		1	V
Base-emitter voltage	V_{BE}	$I_{\text{C}}=5\text{mA}, V_{\text{CE}}=5\text{V}$		0.75	V
Transition frequency	f_{T}	$V_{\text{CE}}=5\text{V}, I_{\text{C}}=200\text{mA}$	20		MHz

CLASSIFICATION OF h_{FE1}

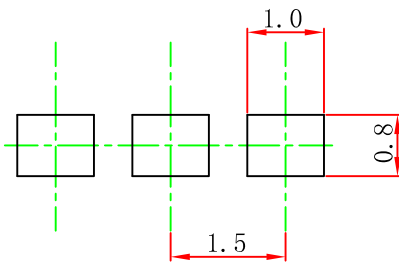
Rank	R	O	Y
Range	60-120	100-200	160-320

TO-92MOD Package Outline Dimensions



Symbol	Dimensions In Millimeters		Dimensions In Inches	
	Min.	Max.	Min.	Max.
A	4.800	5.000	0.189	0.197
A1	1.730	2.030	0.068	0.080
b	0.440	0.600	0.017	0.024
b1	0.940	1.100	0.037	0.043
c	0.350	0.450	0.014	0.018
D	5.900	6.100	0.232	0.240
D1	4.000		0.157	
E	8.500	8.700	0.335	0.343
e	1.500 TYP.		0.059 TYP.	
e1	2.900	3.100	0.114	0.122
L	13.800	14.200	0.543	0.559
Φ		1.600		0.063
h	0.000	0.380	0.000	0.015

TO-92MOD Suggested Pad Layout



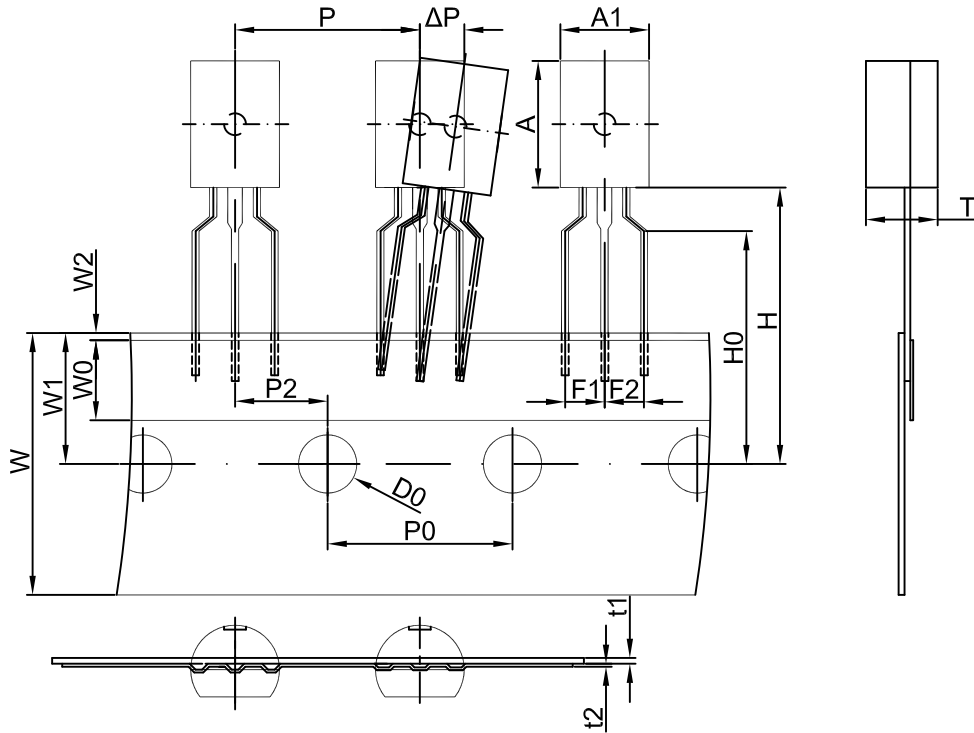
Note:

1. Controlling dimension: in millimeters.
2. General tolerance: ± 0.05 mm.
3. The pad layout is for reference purposes only.

NOTICE

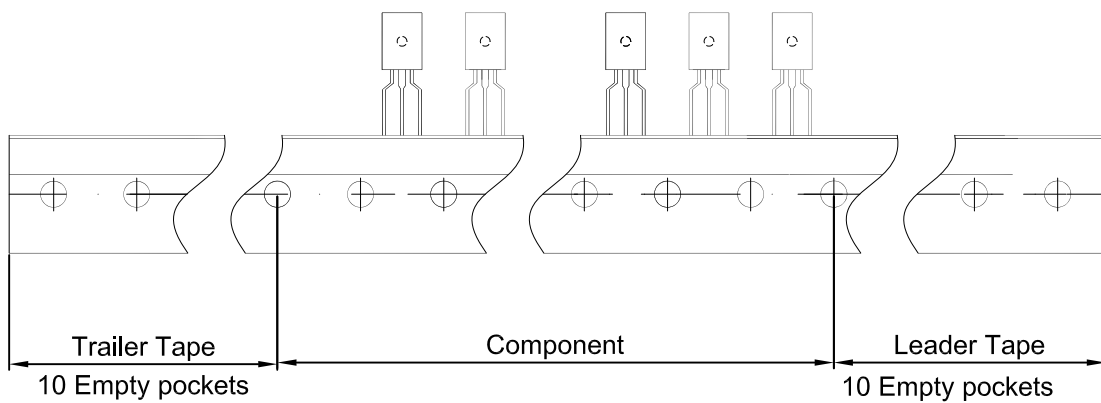
JSCJ reserves the right to make modifications, enhancements, improvements, corrections or other changes without further notice to any product herein. JSCJ does not assume any liability arising out of the application or use of any product described herein.

TO-92MOD PACKAGE TAPING DIMENSION



Dimensions are in millimeter

A1	A	T	P	P0	P2	F1	F2	W
6.0	8.6	4.9	12.7	12.7	6.35	2.5	2.5	18.0
W0	W1	W2	H	H0	D0	t1	t2	ΔP
6.0	9.0	1.0	19.0	16.0	4.0	0.4	0.2	0



Package	Box	Box Size(mm)	Carton	Carton Size(mm)
TO-92MOD	2000 pcs	333×245×43	20,000 pcs	573×404×266