



## AD-RB521S-40 Plastic-Encapsulated Diode

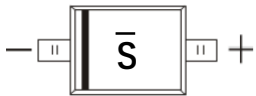
AD-RB521S-40

Schottky barrier diode

### FEATURES

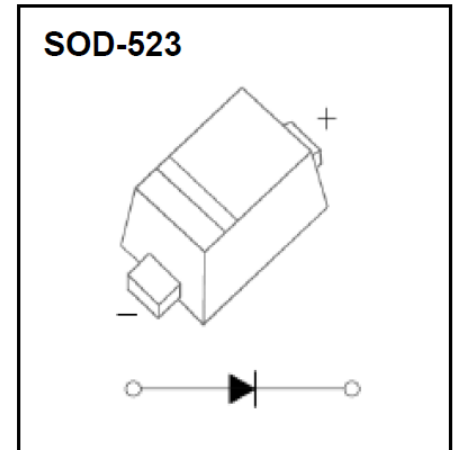
- Ultra small mold type
- Low  $V_F$
- High reliability
- AEC-Q101 qualified

### MARKING



$\bar{S}$  = Device code

The marking bar indicates the cathode



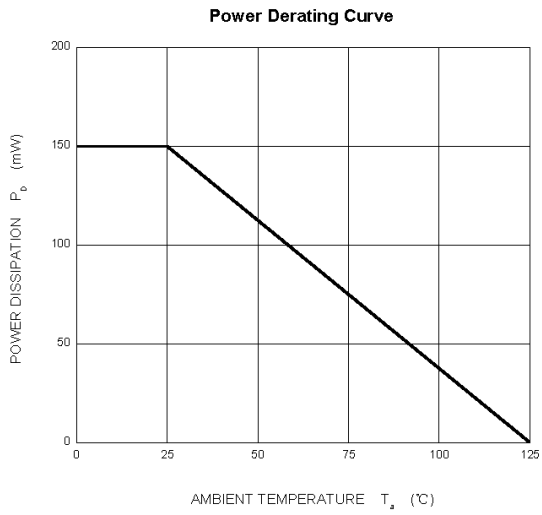
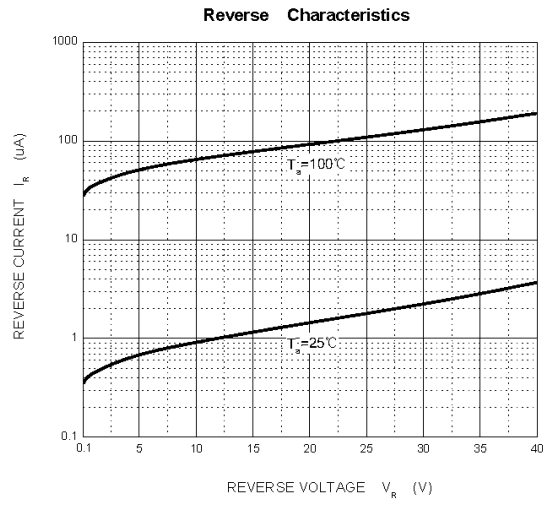
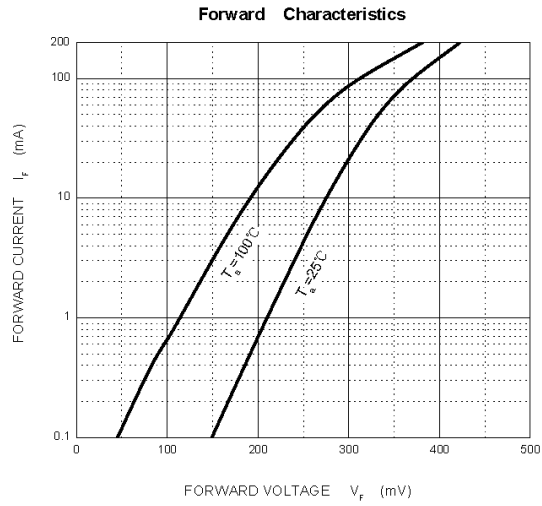
**MAXIMUM RATINGS ( $T_j = 25^\circ\text{C}$  unless otherwise specified)**

Parameter	Symbol	Value	Unit
Non-repetitive peak reverse voltage	$V_{RM}$	45	V
Peak repetitive reverse voltage	$V_{RRM}$	40	V
Working peak reverse voltage	$V_{RWM}$	40	V
RMS reverse voltage	$V_{R(RMS)}$	28	V
Mean rectifying current	$I_O$	200	mA
Non-repetitive peak forward surge current @ $t = 8.3\text{ms}$	$I_{FSM}$	1	A
Power dissipation	$P_D$	150	mW
Thermal resistance from junction to ambient	$R_{\theta JA}^{1)}$	667	$^\circ\text{C}/\text{W}$
Operating junction temperature range	$T_j$	-40 ~ 125	$^\circ\text{C}$
Storage temperature range	$T_{stg}$	-55 ~ 150	$^\circ\text{C}$

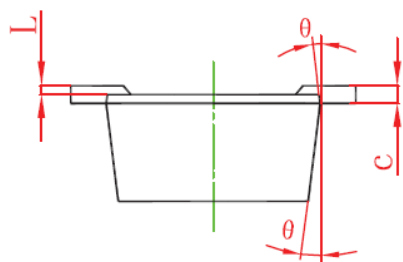
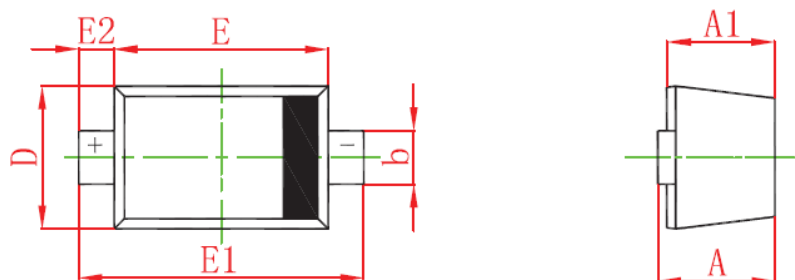
**ELECTRICAL CHARACTERISTICS ( $T_j = 25^\circ\text{C}$  unless otherwise specified)**

Parameter	Symbol	Test condition	Min	Typ	Max	Unit
Forward voltage	$V_F$	$I_F = 10\text{mA}$	0.16	-	0.3	V
		$I_F = 100\text{mA}$	0.31	-	0.45	
		$I_F = 200\text{mA}$	0.41	-	0.54	
Reverse current	$I_R$	$V_R = 10\text{V}$	-	-	20	$\mu\text{A}$
		$V_R = 40\text{V}$	-	-	90	
Reverse voltage	$V_{(BR)}$	$I_R = 0.1\text{mA}$	40	-	-	V

# TYPICAL CHARACTERISTICS

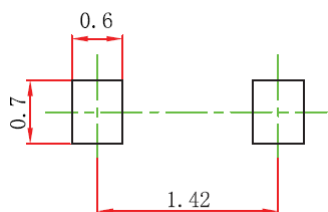


### SOD-523 PACKAGE OUTLINE DIMENSIONS



Symbol	Dimensions In Millimeters		Dimensions In Inches	
	Min	Max	Min	Max
A	0.510	0.770	0.020	0.031
A1	0.500	0.700	0.020	0.028
b	0.250	0.350	0.010	0.014
c	0.080	0.150	0.003	0.006
D	0.750	0.850	0.030	0.033
E	1.100	1.300	0.043	0.051
E1	1.500	1.700	0.059	0.067
E2	0.200 REF		0.008 REF	
L	0.010	0.070	0.001	0.003
θ	7° REF		7° REF	

### SOD-523 SUGGESTED PAD LAYOUT

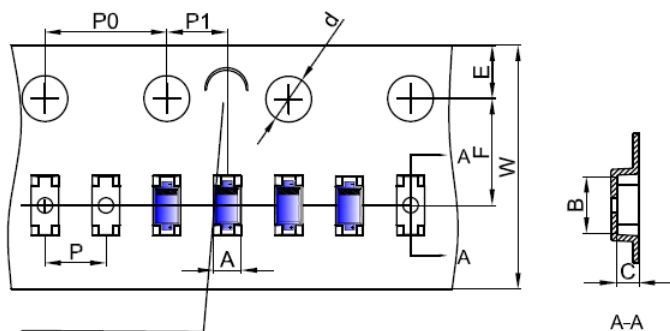


Note:

1. Controlling dimension in millimeters.
2. General tolerance: ±0.05mm.
3. The pad layout is for reference purpose only.

### SOD-523 TAPE AND REEL

#### SOD-523 Embossed Carrier Tape

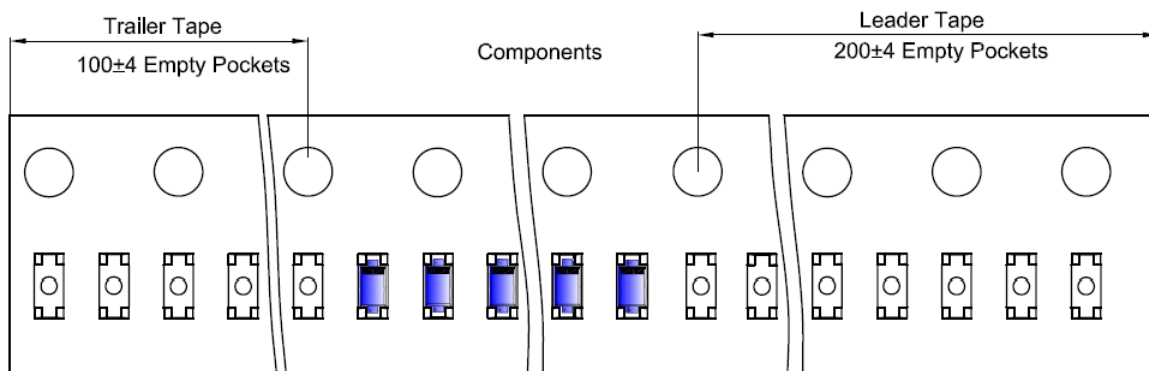


**Packaging Description:**  
 SOD-523 parts are shipped in tape. The carrier tape is made from a dissipative (carbon filled) polycarbonate resin. The cover tape is a multilayer film (Heat Activated Adhesive in nature) primarily composed of polyester film, adhesive layer, sealant, and anti-static sprayed agent. These reeled parts in standard option are shipped with 8,000 units per 7" or 17,8cm diameter reel. The reels are clear in color and is made of polystyrene plastic (anti-static coated).

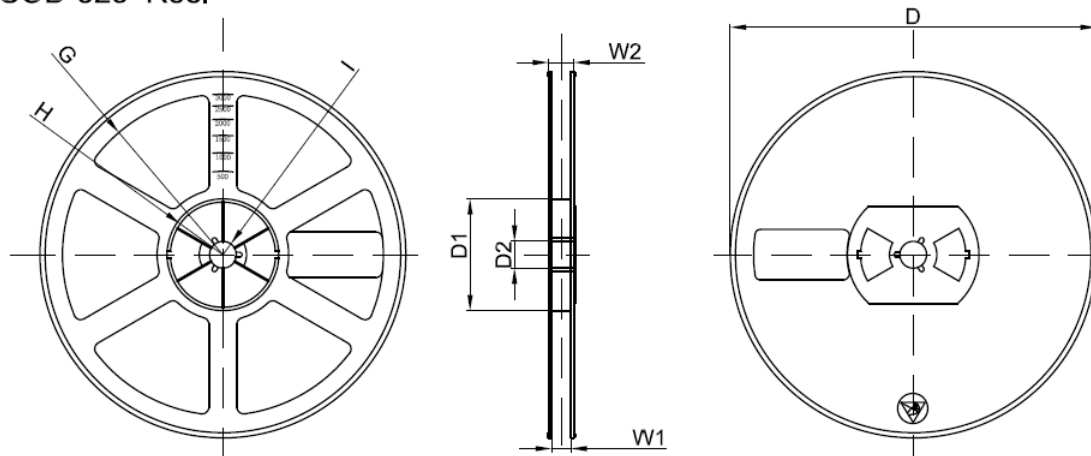
NOTE: TO CAVE 'C' ON CARRIER TAPE PER 120MM

Dimensions are in millimeter										
Pkg type	A	B	C	d	E	F	P0	P	P1	W
SOD-523	0,9	1,94	0,73	Ø1,50	1,75	3,50	4,00	2,00	2,00	8,00

#### SOD-523 Tape Leader and Trailer



#### SOD-523 Reel



Dimensions are in millimeter								
Reel Option	D	D1	D2	G	H	I	W1	W2
7"Dia	Ø178.00	54.40	13.00	R78.00	R25.60	R6.50	9.50	12.30

REEL	Reel Size	Box	Box Size(mm)	Carton	Carton Size(mm)	G.W.(kg)
8000 pcs	7 inch	120,000 pcs	203×203×195	480,000 pcs	438×438×220	

---

**PUBLISHED BY****JIANGSU CHANGJING ELECTRONICS TECHNOLOGY CO., LTD.**

13th Floor, C Block, Tengfei Building, Yan Chuang Yuan, Nanjing Jiangbei New Area, China

**LEGAL DISCLAIMER**

The information given in this document shall in no event be regarded as a guarantee of conditions or characteristics. With respect to any examples, hints or typical values stated herein and/or any information regarding the application of the device, JSCJ hereby disclaims any and all warranties and liabilities of any kind, including without limitation, warranties of non-infringement of intellectual property rights of any third party.

In addition, any information given in this document is subject to customer's compliance with its obligations stated in this document and any applicable legal requirements, norms and standards concerning customer's products and any use of the product of JSCJ in customer's applications.

The data contained in this document is exclusively intended for technically trained staff. It is the responsibility of customer's technical departments to evaluate the suitability of the product for the intended application and the completeness of the product information given in this document with respect to such application.

**INFORMATION**

For further information on technology, delivery terms and conditions as well as prices, please contact your nearest JSCJ office ([www.jscj-elec.com](http://www.jscj-elec.com)).

**WARNINGS**

Due to technical requirements, products may contain dangerous substances. For information on the types in question, please contact your nearest JSCJ office.

Except as otherwise explicitly approved by JSCJ in a written document signed by authorized representatives of JSCJ, JSCJ's products may not be used in any applications where a failure of the product or any consequences of the use thereof can reasonably be expected to result in personal injury.