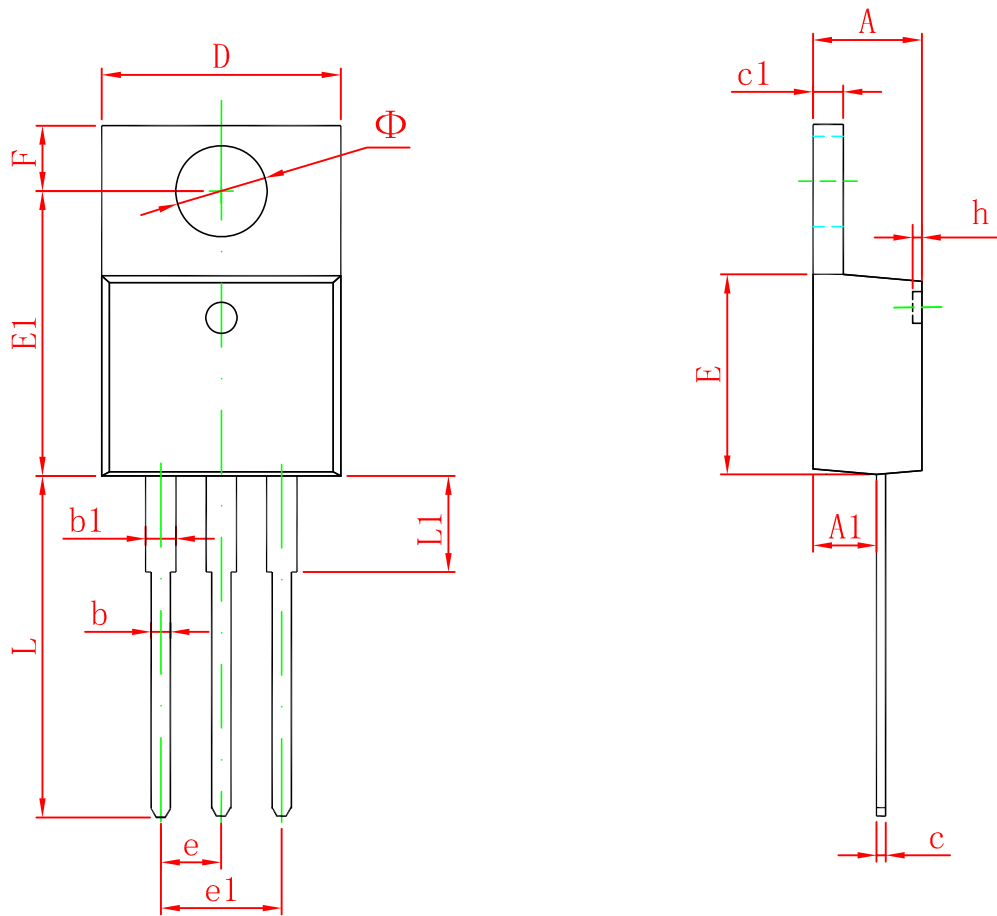






# TO-220-3L Package Outline Dimensions



| Symbol | Dimensions In Millimeters |        | Dimensions In Inches |       |
|--------|---------------------------|--------|----------------------|-------|
|        | Min                       | Max    | Min                  | Max   |
| A      | 4.470                     | 4.670  | 0.176                | 0.184 |
| A1     | 2.520                     | 2.820  | 0.099                | 0.111 |
| b      | 0.710                     | 0.910  | 0.028                | 0.036 |
| b1     | 1.170                     | 1.370  | 0.046                | 0.054 |
| c      | 0.310                     | 0.530  | 0.012                | 0.021 |
| c1     | 1.170                     | 1.370  | 0.046                | 0.054 |
| D      | 10.010                    | 10.310 | 0.394                | 0.406 |
| E      | 8.500                     | 8.900  | 0.335                | 0.350 |
| E1     | 12.060                    | 12.460 | 0.475                | 0.491 |
| e      | 2.540 TYP                 |        | 0.100 TYP            |       |
| e1     | 4.980                     | 5.180  | 0.196                | 0.204 |
| F      | 2.590                     | 2.890  | 0.102                | 0.114 |
| h      | 0.000                     | 0.300  | 0.000                | 0.012 |
| L      | 13.400                    | 13.800 | 0.528                | 0.543 |
| L1     | 3.560                     | 3.960  | 0.140                | 0.156 |
| Φ      | 3.735                     | 3.935  | 0.147                | 0.155 |