

Low Power Single Op Amp

LM321

PRODUCT DESCRIPTION

The LM321 brings performance and economy to low power systems. With a high unity gain frequency and a guaranteed $0.4V/\mu s$ slew rate, the quiescent current is only $430\mu A$ /amplifier (5V). The input common mode range includes ground and therefore the device is able to operate in single supply applications as well as in dual supply applications. It is also capable of comfortably driving large capacitive loads. The LM321 is available in the SOT package. Overall the LM321 is a low power, wide supply range performance op amp that can be designed into a wide range of applications at an economical price without sacrificing valuable board space.

FEATURES

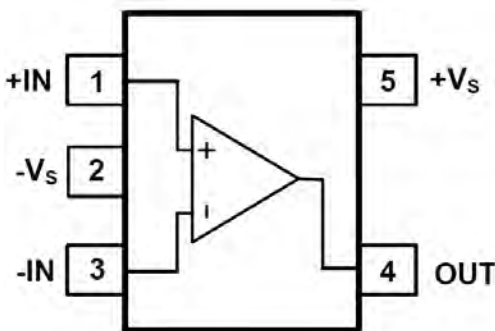
- Gain-Bandwidth product: 1MHz
- ($V_{CC} = 5V, T_A = 25^\circ C$. Typical values unless specified).
- Low supply current: $430\mu A$
- Low input bias current: $45nA$
- Wide supply voltage range
- Operates on 24V or 12V Supplies
- Stable with high capacitive loads
- Small Packaging: LM321 Available in SOT-23-5L.

APPLICATIONS

- Chargers
- Power supplies
- Industrial: controls, instruments
- Desktops
- Communications infrastructure

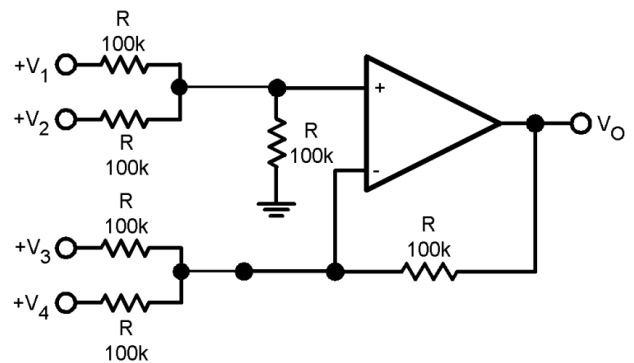
PIN CONFIGURATIONS

LM321
(Top View)



APPLICATION Circuit

DC Summing Amplifier
($V_{IN's} \geq 0V_{DC}, V_O \geq V_{DC}$)



Where: $V_O = V_1 + V_2 - V_3 - V_4, (V_1 + V_2) \geq (V_3 + V_4)$ to keep $V_O \geq 0V_{DC}$

ELECTRICAL CHARACTERISTICS

ABSOLUTE MAXIMUM RATINGS

Supply Voltage, V+ to V-	24V or 12V
Input Voltage	- 0.3V to Vcc
Input Current (VIN<-0.3V)	50mA
Output Short Circuit to GND (V≤15V、Ta=25℃)	Continuous
Storage Temperature Range	-65℃ to +150℃
Junction Temperature	150℃
Operating Temperature Range	0℃ to +70℃
Lead Temperature Range (Soldering 10 sec)	260℃

NOTE:

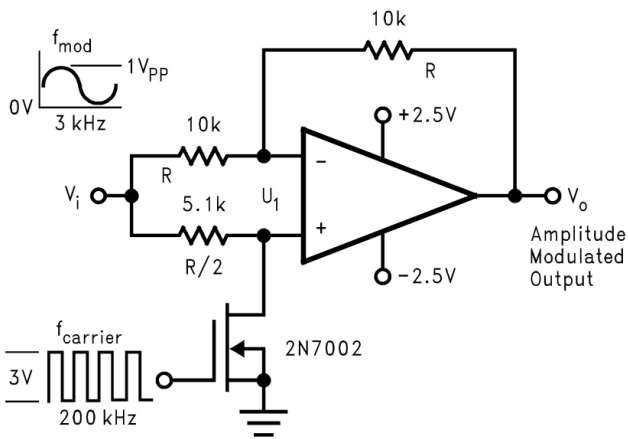
Stresses above those listed under Absolute Maximum Ratings may cause permanent damage to the device. This is a stress rating only; functional operation of the device at these or any other conditions above those indicated in the operational section of this specification is not implied. Exposure to absolute maximum rating conditions for extended periods may affect device reliability.

ELECTRICAL CHARACTERISTICS

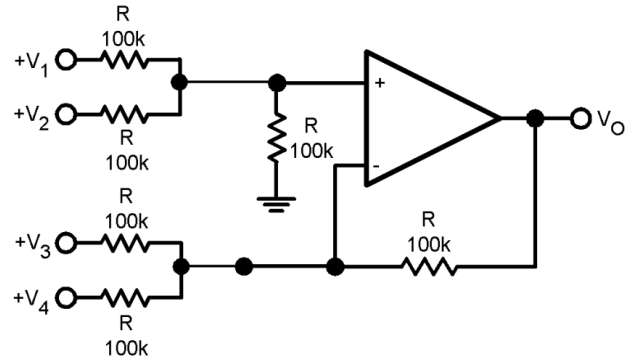
(Unless otherwise specified, all limits guaranteed for at Tamb=25℃, Vcc=5V)

Parameter	Conditions	value			Units	
		Min	Typ	Max		
Input Offset Voltage			±2	±5	mV	
Input Bias Current	IIN(+) or IIN(-), VCM=0V		±45	±250	nA	
Input Offset Current	IIN(+) - IIN(-), VCM=0V		±3	±50	nA	
Input Common-Mode Voltage Range	Ta=25℃, V ⁺ =24V	0		Vcc -1.5	V	
Supply Current	Iout=0	Vcc =24V		1	2	mA
		Vcc =5V		0.5	1.2	mA
Large Signal Voltage Gain	Vcc =15V, Ta=25℃, RL≥2kΩ (Vo=1~11V)	25	100		V/mV	
Common Mode Rejection Ratio	DC, Ta=25℃, VCM=0~Vcc-1.5V	65	90		dB	
Power Supply Rejection Ratio	DC, Ta=25℃, Vcc =5~24V	65	100		dB	
Output Current Sourcing	VIN(+)=1V, VIN(-)=0V, Vcc=15V, Vo=2V	20	40		mA	
Output Current Sinking	VIN(-)=1V, VIN(+)=0V, Vcc=15V, Vo=2V	10	15		mA	
	VIN(-)=1V, VIN(+)=0V, Vcc=15V, Vo=200mV	12	50		μA	
Output Short Circuit to Ground	Vcc=15V		40	60	mA	
Slew Rate	V+ = 15V, RL = 2kΩ, VIN = 0.5 to 5V CL = 100pF		0.4		V/μs	
Output voltage swing	VOH	Vcc=24V	RL=2kΩ	22		V
		Vcc=24V	RL=10kΩ	22		V
	VOL	Vcc=5V, RL=10kΩ		5	20	mV

TYPICAL APPLICATIONS



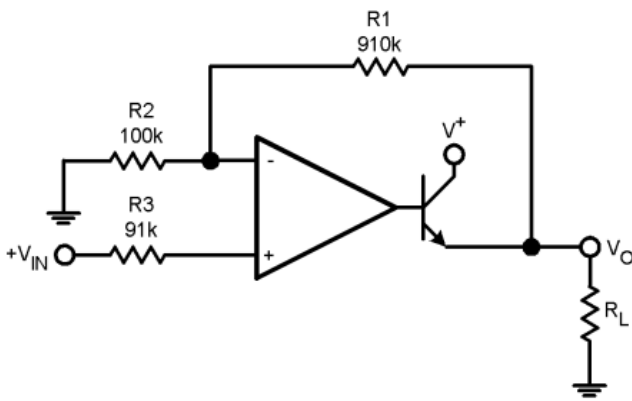
Amplitude Modulator Circuit



Where: $V_o = V_1 + V_2 - V_3 - V_4, (V_1 + V_2) \geq (V_3 + V_4)$ to keep $V_o \geq 0V_{DC}$

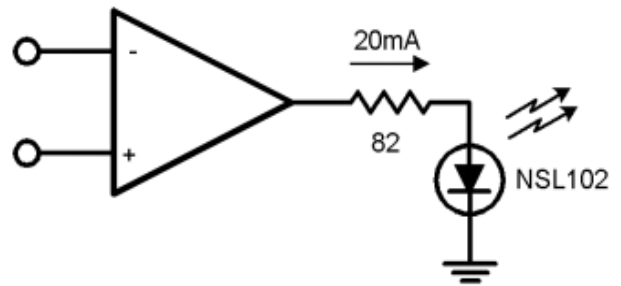
DC Summing Amplifier

($V_{IN}'s \geq 0V_{DC}, V_o \geq 0V_{DC}$)

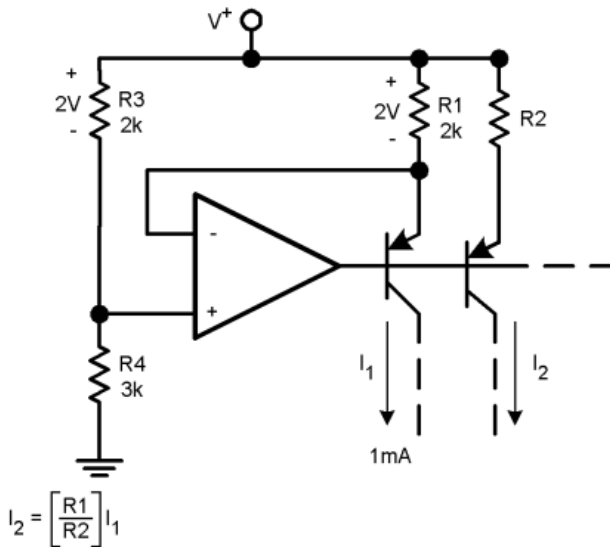


$V_o = 0V_{DC}$ for $V_{IN} = 0V_{DC}$, $A_v = 10$

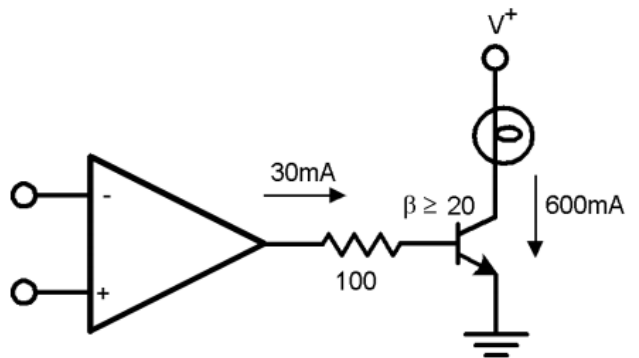
Power Amplifier



LED Driver

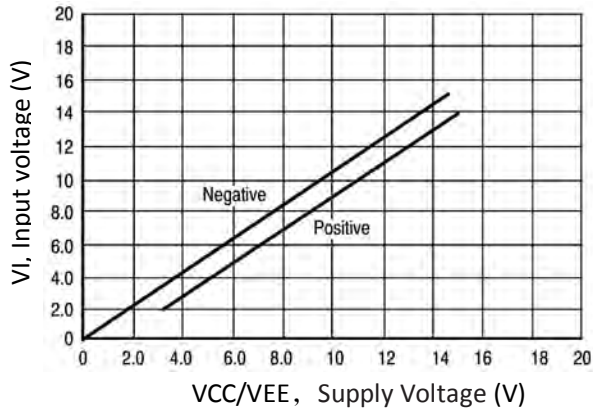


Fixed Current Sources

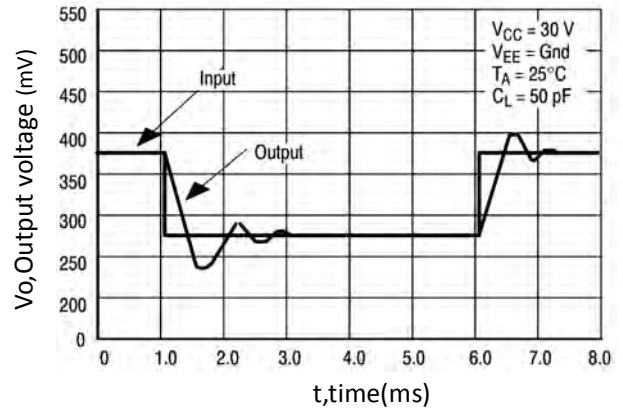


Lamp Driver

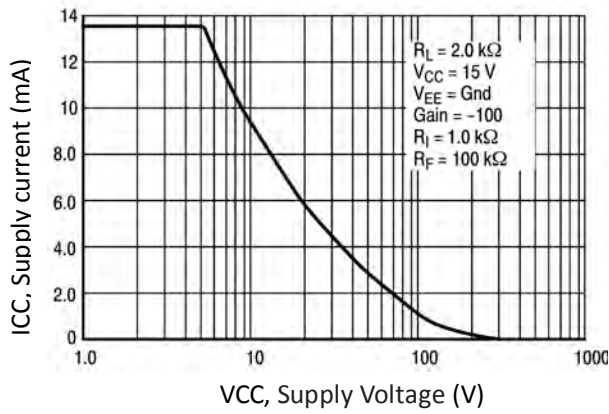
TYPICAL PERFORMANCE CHARACTERISTICS



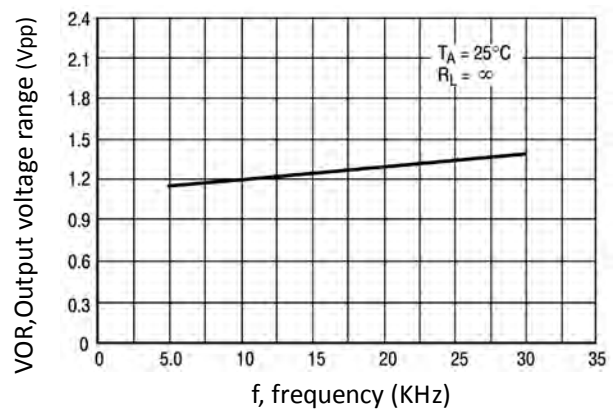
Input voltage range



**Small signal voltage follower impulse response
(same direction)**

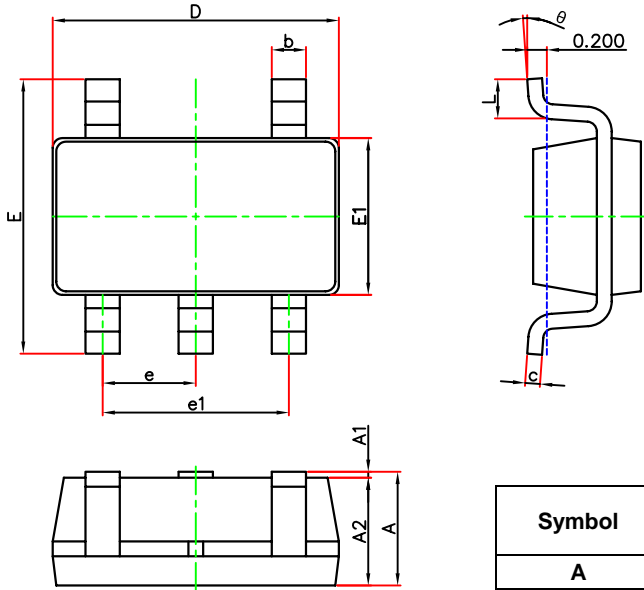


Supply current (static power consumption)



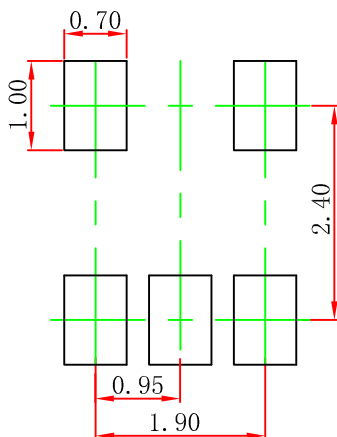
Large signal frequency response

SOT-23-5L Package Outline Dimensions



Symbol	Dimensions In Millimeters		Dimensions In Inches	
	Min.	Max.	Min.	Max.
A	1.050	1.250	0.041	0.049
A1	0.000	0.100	0.000	0.004
A2	1.050	1.150	0.041	0.045
b	0.300	0.500	0.012	0.020
c	0.100	0.200	0.004	0.008
D	2.850	2.990	0.112	0.118
E	2.690	2.990	0.106	0.118
E1	1.530	1.670	0.060	0.066
e	0.950(BSC)		0.037(BSC)	
e1	1.800	2.000	0.071	0.079
L	0.300	0.600	0.012	0.024
θ	0°	8°	0°	8°

SOT-23-5L Suggested Pad Layout



Note:

1. Controlling dimension; in millimeters.
2. General tolerance: $\pm 0.05\text{mm}$.
3. The pad layout is for reference purposes only.

NOTICE

JSCJ reserves the right to make modifications, enhancements, improvements, corrections or other changes without further notice to any product herein. JSCJ does not assume any liability arising out of the application or use of any product described herein.