

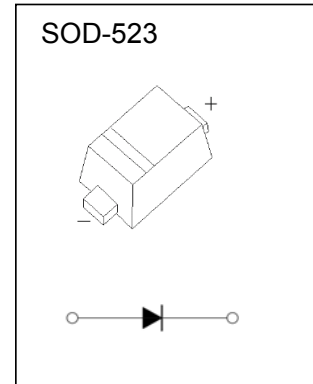
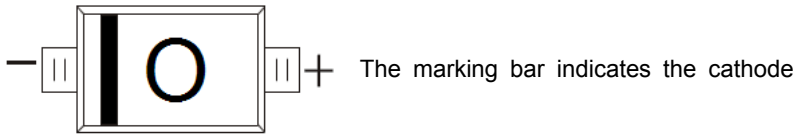
SOD-523 Plastic-Encapsulate Diodes

65F* (!\$&J GENERAL PURPOSE PIN DIODES

: 95HI F9`

- Low diode capacitance
- Low diode forward resistance

A5F?-B;`



AU ja i a `FUhb[g`UbX`9`Ywf]WU`7\ UfUWYf]gh]VgZ]G]b[`Y`8]cXY4 HU1 &) °C

DUFUa Yhf`	Gna Vc`	@a]h	I b]h
7 cb]bi ci g`FYj YfgY`Jc`HU] Y	V_R	150	V
7 cb]bi ci g` : cfk UfX`7i ffYbh	I_F	100	mA
Dck Yf`8]gg]dU]cb`	P_D	150	mW
HA Yfa U`FYg]gh]UbW`Zca `>i bW]cb`hc` Gc`XYf]b[`Dc]bh	$R_{\theta JS}$	85	°C/W
Operation Junction and Storage Temperature Range	T_J, T_{STG}	-55~+150	°C

9`Ywf]WU`FUhb[g`4 HU1 &) °C

DUFUa Yhf`	Gna Vc`	A]b	Hnd	AU	I b]h	7 cbX]h]cb`
7 cb]bi ci g`fYj YfgY`j c`HU] Y	V_R	150			V	$I_R=10\mu A$
: cfk UfX`j c`HU] Y	V_F			1.1	V	$I_F=50mA$
FYj YfgY`W ffYbh	I_R			10	uA	$V_R=150V$
8]cXY`WUdUW]h]UbW`	C_{d1}		0.4*		pF	$V_R=0V, f=1MHz$
	C_{d2}			0.55	pF	$V_R=1V, f=1MHz$
	C_{d3}			0.35	pF	$V_R=5V, f=1MHz$
8]cXY`Z`fk UfX`fYg]gh]UbW`	r_D			9	Ω	$I_F=0.5mA, f=100MHz; note1$
	r_D			6.5	Ω	$I_F=1mA, f=100MHz; note1$
	r_D			2.5	Ω	$I_F=10mA, f=100MHz; note1$

Note 1. Guaranteed on AQL basis: inspection level S4,AQL 1.0.

