



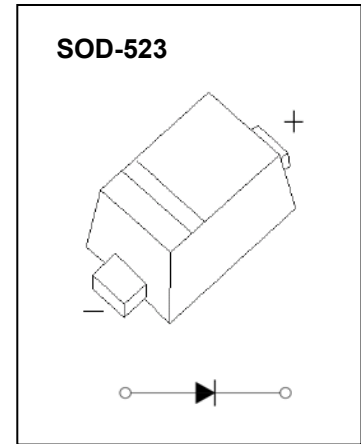
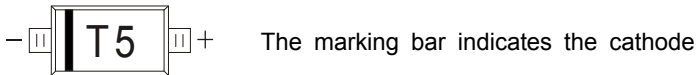
SOD-523 Plastic-Encapsulate Diodes

1N4448WT FAST SWITCHING DIODE

FEATURES

- Small Package
- Low Reverse Current
- Fast Switching Speed
- Surface Mount Package Ideally Suited for Automatic Insertion

MARKING: T5



Maximum Ratings and Electrical Characteristics, Single Diode @Ta=25°C

Parameter	Symbol	Limit	Unit
Non-Repetitive Peak Reverse Voltage	V_{RM}	100	V
Peak Repetitive Peak Reverse Voltage	V_{RRM}	75	V
Working Peak Reverse Voltage	V_{RWM}		
DC Blocking Voltage	V_R		
RMS Reverse Voltage	$V_{R(RMS)}$	53	V
Forward Continuous Current	I_{FM}	500	mA
Average Rectified Output Current	I_O	250	mA
Non-Repetitive Peak Forward Surge Current @ t=8.3ms	I_{FSM}	2.0	A
Power Dissipation	P_d	150	mW
Thermal Resistance Junction to Ambient	$R_{\theta JA}$	833	°C/W
Operation Junction and Storage Temperature Range	T_J, T_{STG}	-55~+150	°C

ELECTRICAL CHARACTERISTICS(T_a=25°C unless otherwise specified)

Parameter	Symbol	Test conditions	Min	Typ	Max	Unit
Reverse voltage	$V_{(BR)1}$	$I_R=5\mu A$	75			V
Reverse voltage	$V_{(BR)2}$	$I_R=100\mu A$	100			V
Reverse current	I_R	$V_R=75V$			1	μA
		$V_R=20V$			25	nA
Forward voltage	V_F	$I_F=5mA$			0.715	V
		$I_F=10mA$			0.855	V
		$I_F=100mA$			1	V
		$I_F=150mA$			1.25	V
Total capacitance	C_{tot}	$V_R=0V, f=1MHz$			4	pF
Reverse recovery time	t_{rr}	$I_F=I_R=10mA, I_{rr}=0.1*I_R, R_L=100\Omega$			4	ns

