

-, \$ 1 \* 6 8 & + \$ 1 \* -, 1 \* ( / ( & 7 5 2 0 7 ( & + 1 2 / 2 \* & 2 & 2 / 7 ' / 7 '

## 2 Plastic-Encapsulate Diodes

### 1 THRU 1

General Purpose Rectifier Diodes

#### Features

- $I_{F(AV)}$  A
- $V_{RRM}$  50V-1000V
- High surge current capability
- ” Polarity: Color band denotes cathode

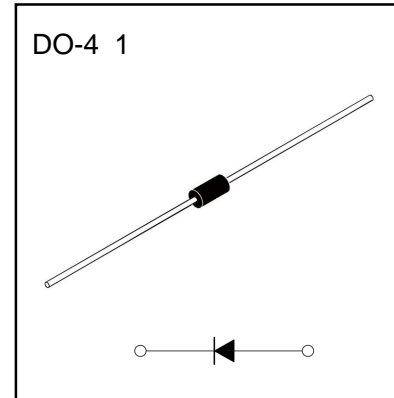
#### Applications

- Rectifier

#### Marking

- 1 X

X: From To



/LPLW 1 D Q XHV \$ EVROXWH 0D [LPXP 5DWLQJ

Item	Symbol	Unit	Test Conditions	1						
5 H B W L W L Y H 3 H D N 5 H Y H 9 5 0 H 9 R 0 W D J H				50						
0 D [ L P X P 5 0 6 9 R 0 D J H	$V_{RMS}$	9								
\$ Y H U D J H ) R U Z D U G & X J U U H Q W		\$	+ ] + D O I V L Q H Z D Y H 5 H V L V W D Q F H O R D G							
6 X U J H 1 R Q U H S H W L W L Y H ) R U Z D U G + ] + D O I V L Q H Z D Y H & X U U H Q W		\$	F \ F, 0 7 D C							
- X Q F W L R Q 7 H P S H U D W X J H										a
6 W R U D J H 7 H P S H U D W X U H										a

#### Electrical Characteristics (T= 25 Unless otherwise specified A

Item	Symbol	Unit	Test Condition	0 D [
3 H D N 9 5 0 H 9 R 0 W D J H		9	\$	
3 H D N 9 5 0 H 9 R 0 W D J H	550	\$	9 5 0 9 5 5 0	5
	550		7D	0
7 K H U P D O 5 H V L V W D Q F H 7 \ S L F D O	5 - \$	:	% H W Z H H Q M X Q F W L R Q D Q G D P E L H Q W	
	5 - /		% H W Z H H Q M X Q F W L R Q D Q G D P E L H Q W / H D G	

#### Notes:

7 K H U P D O / L V W D Q F H 7 \ S L F D O & % L W K [ P P [ P P F R S J  
SDG DUHDV

# Typical Characteristics

FIG.1: FORWARD CURRENT DERATING CURVE

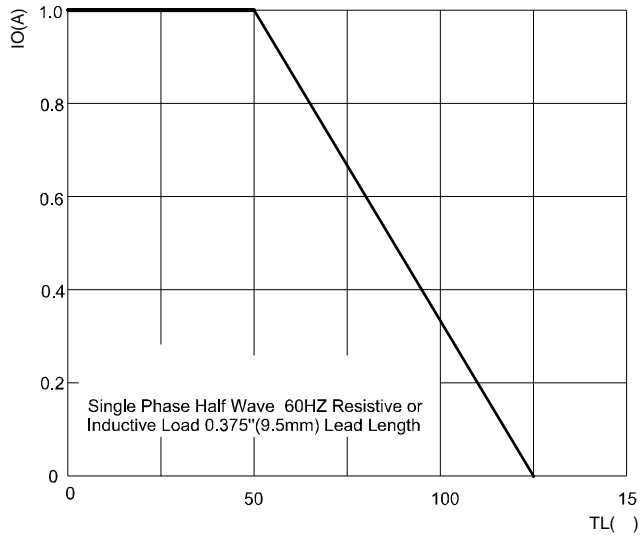


FIG.2: MAXIMUM NON-REPETITIVE FORWARD URGE CURRENT

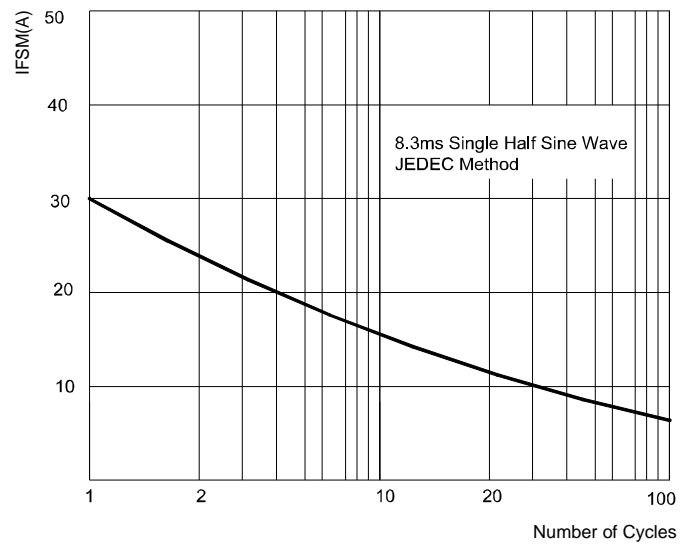


FIG.3: TYPICAL FORWARD CHARACTERISTICS

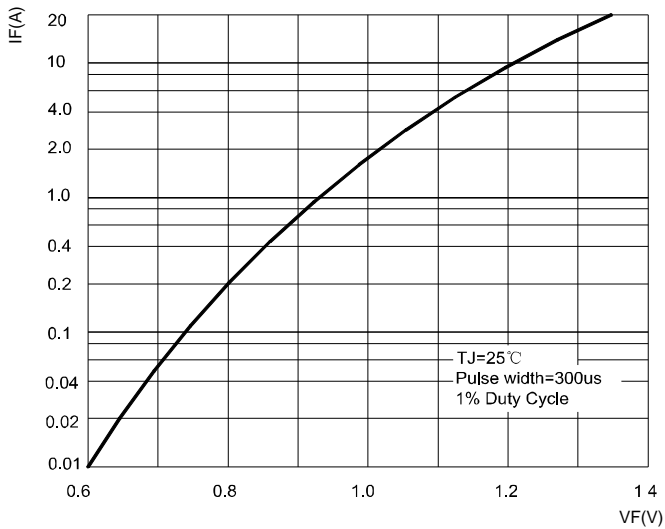
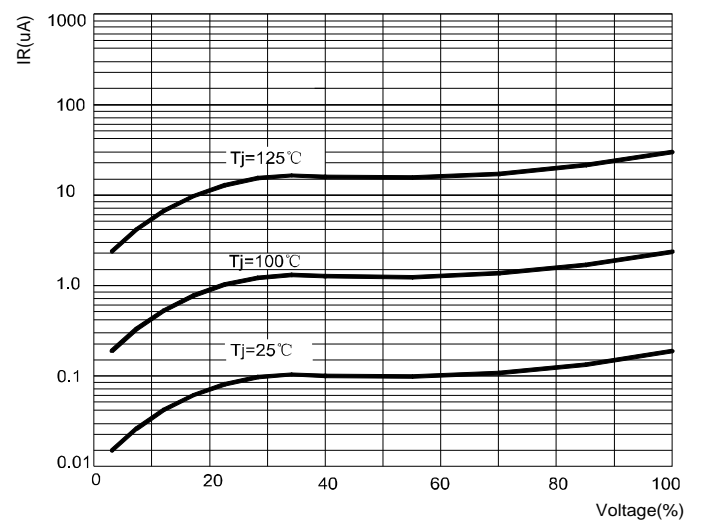


FIG.4: TYPICAL REVERSE CHARACTERISTICS

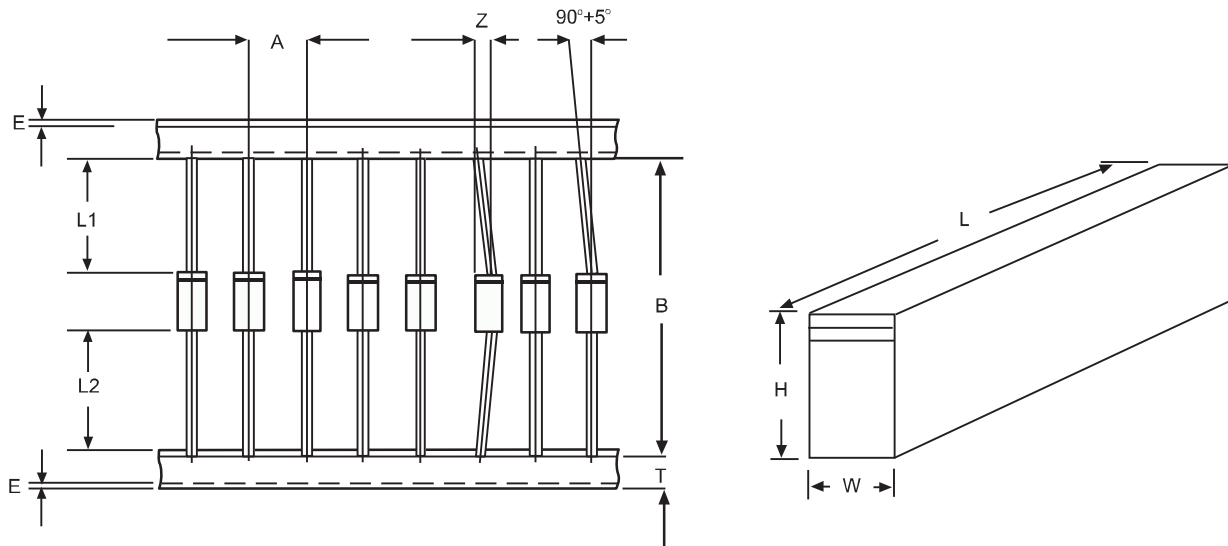




# Ammo Box Packaging Specifications For Axial Lead Rectifiers

Axial lead devices are packed in accordance with EIA standard RS-296-D and specifications given below

COMPONENT OUTLINE	COMPONENT PITCH A	INNER TAPE PITCH B	CUMULATIVE PITCH TOLERANCE
	$\pm 0.5\text{mm}(.020'')$	$+0.5\text{mm}(.020'')$	
R-1	5.0mm	26.0mm	2.0mm/20pitch
R-1	5.0mm	52.4mm	2.0mm/10pitch
A-405	5.0mm	26.0mm	2.0mm/20pitch
A-405	5.0mm	52.4mm	2.0mm/10pitch
DO-34/DO-35	5.0mm	26.0mm	2.0mm/20pitch
DO-34/DO-35	5.0mm	52.4mm	2.0mm/10pitch
DO-41	5.0mm	26.0mm	2.0mm/20pitch
DO-41	5.0mm	52.4mm	2.0mm/10pitch
DO-15	5.0mm	52.4mm	2.0mm/10pitch
DO-27	10.0mm	52.4mm	2.0mm/10pitch
R-6	10.0mm	52.4mm	2.0mm/10pitch



ITEM	SYMBOL	SPECIFICATIONS(mm)	SPECIFICATIONS(inch)
Component alignment	Z	1.2max	0.048max
Tape width	T	$6.0\pm 0.4$	$0.236\pm 0.016$
Exposed adhesive	E	0.8max	0.032max
Body eccentricity	IL1-L2I	1.0max	0.040max
Box length	L	$255.0\pm 5.0$	$10.04\pm 0.197$
Box width	W	$78.0\pm 5.0$	$3.07\pm 0.197$
Box height	H	$150.0\pm 5.0$	$5.91\pm 0.197$

NOTE: Each component lead shall be sandwiched between tapes for A minimum of 3.2mm(0.126'')