



2 Plastic-Encapsulate Diodes

1 THRU 1

General Purpose Rectifier Diodes

Features

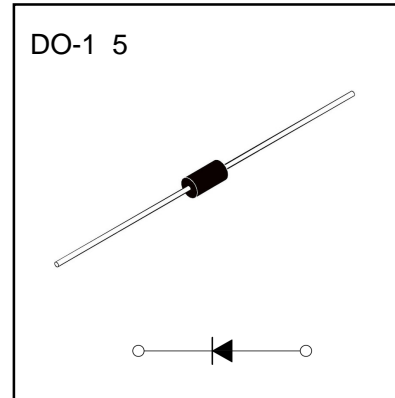
- $I_{F(AV)}$ 1 A
- V_{RRM} 50V-1000V
- High surge current capability
- ” Polarity: Color band denotes cathode

Applications

- Rectifier

Marking

- 1N X
- X : From 1 To



Limiting Values(Absolute Maximum Rating)

Item	Symbol	Unit	Test Conditions	1N						
				2	3					
$I_{F(AV)}$		A		50						
V_{RRM}		V								
I_{FSM}		A	60Hz Half-sine wave, Resistance load, $T_c=50^\circ C$	1						
I_{TSM}		A	60Hz Half-sine wave, 1 cycle, $T_a=25^\circ C$							
T_j		$^\circ C$		a 25						
T_c		$^\circ C$		a						

Electrical Characteristics (T= 25 Unless other wise specified A)

Item	Symbol	Unit	Test Condition	Max
I_{FM}		A		1
V_{FM}	550	V	7D	5
	550			0
η	5 - %	:	% $I_{FM} V_{FM} / P_{DQ} D_{PELH} QW$	
	5 - %		% $I_{FM} V_{FM} / P_{DQ} D_{PELH} QW$	

Notes:

7KHURUDH / LV WURP XIRU WRE LV DQG RMXR QW H D G XQ H C & % LWK [PP [PP FR S S SD D DV

Typical Characteristics

FIG.1: FORWARD CURRENT DERATING CURVE

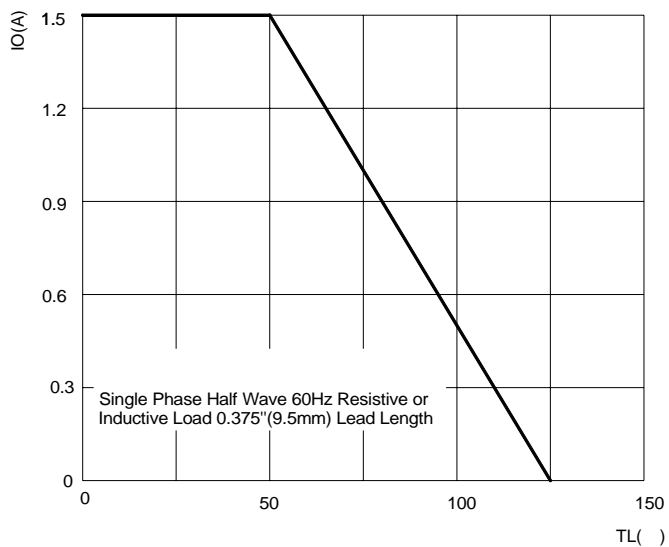


FIG.2: MAXIMUM NON-REPETITIVE FORWARD URGE CURRENT

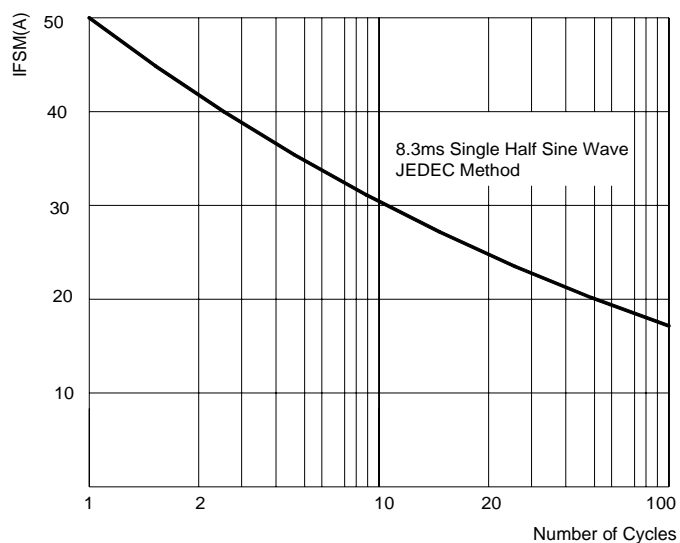


FIG.3: TYPICAL FORWARD CHARACTERISTICS

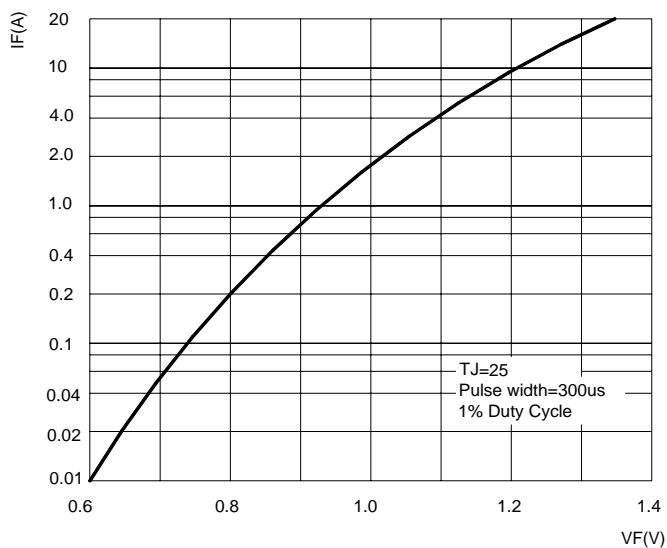
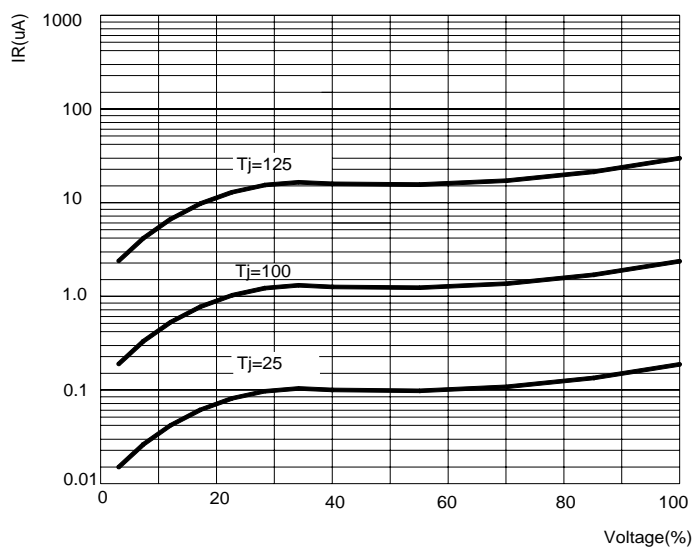
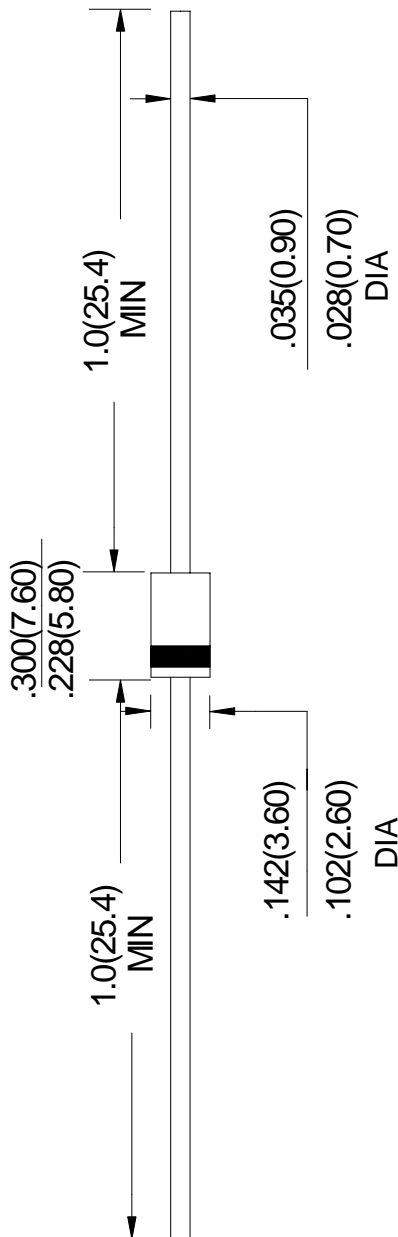


FIG.4: TYPICAL REVERSE CHARACTERISTICS





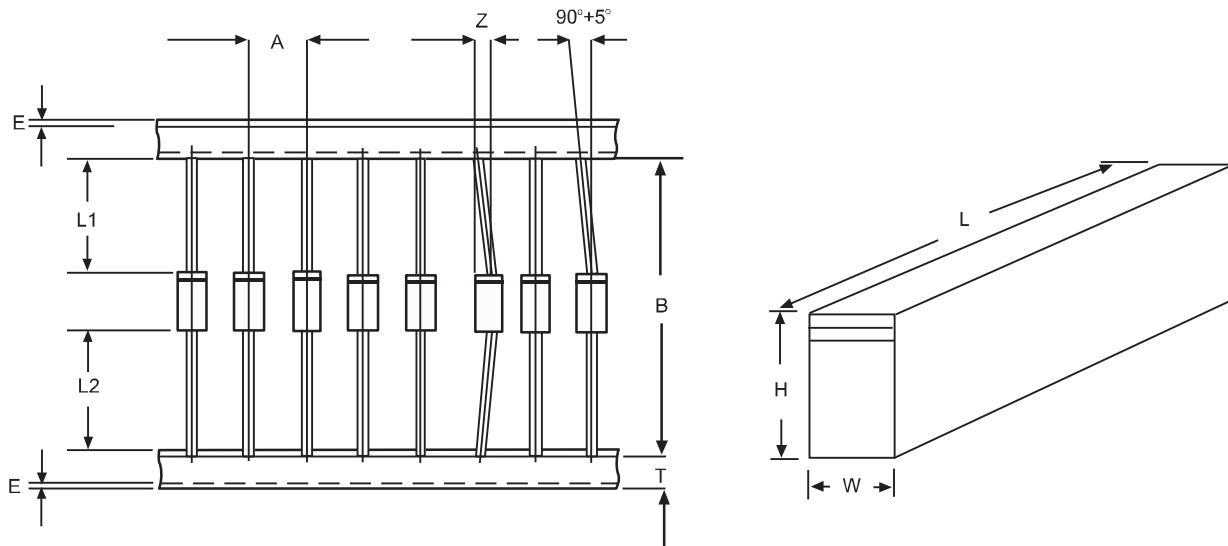
Unit: in inches (millimeters)

NOTICE
JSCJ reserves the right to make modifications, enhancements, improvements, corrections or other changes without further notice to any product herein. JSCJ does not assume any liability arising out of the application or use of any product described herein.

Ammo Box Packaging Specifications For Axial Lead Rectifiers

Axial lead devices are packed in accordance with EIA standard RS-296-D and specifications given below

COMPONENT OUTLINE	COMPONENT PITCH A	INNER TAPE PITCH B	CUMULATIVE PITCH TOLERANCE
	$\pm 0.5\text{mm}(.020'')$	$+0.5\text{mm}(.020'')$	
R-1	5.0mm	26.0mm	2.0mm/20pitch
R-1	5.0mm	52.4mm	2.0mm/10pitch
A-405	5.0mm	26.0mm	2.0mm/20pitch
A-405	5.0mm	52.4mm	2.0mm/10pitch
DO-34/DO-35	5.0mm	26.0mm	2.0mm/20pitch
DO-34/DO-35	5.0mm	52.4mm	2.0mm/10pitch
DO-41	5.0mm	26.0mm	2.0mm/20pitch
DO-41	5.0mm	52.4mm	2.0mm/10pitch
DO-15	5.0mm	52.4mm	2.0mm/10pitch
DO-27	10.0mm	52.4mm	2.0mm/10pitch
R-6	10.0mm	52.4mm	2.0mm/10pitch



ITEM	SYMBOL	SPECIFICATIONS(mm)	SPECIFICATIONS(inch)
Component alignment	Z	1.2max	0.048max
Tape width	T	6.0 ± 0.4	0.236 ± 0.016
Exposed adhesive	E	0.8max	0.032max
Body eccentricity	$ L1-L2 $	1.0max	0.040max
Box length	L	255.0 ± 5.0	10.04 ± 0.197
Box width	W	78.0 ± 5.0	3.07 ± 0.197
Box height	H	150.0 ± 5.0	5.91 ± 0.197

NOTE: Each component lead shall be sandwiched between tapes for A minimum of 3.2mm(0.126'')