



SMA * Plastic-Encapsulate Diodes

M1 THRU M7 General Purpose Rectifier Diodes

Features

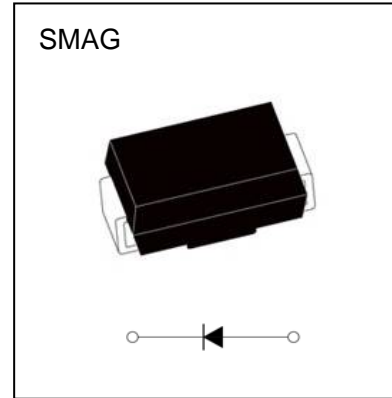
- $I_{F(AV)}$ 1A
- V_{RRM} 50V-1000V
- High surge current capability
- Polarity: Color band denotes cathode

Applications

- Rectifier

Marking

- MX
- X : From 1 To 7



Limiting Values(Absolute Maximum Rating)

Item	Symbol	Unit	Test Conditions	M							
				1	2	3	4	5	6	7	
5HBLWVHVN 5HYHUVH 9R50W DJH		9		50							
0D[LPX069RVDJH	V_{RMS}	9									
\$YHUDJH)RUZDUG &XJUHQW		\$	+] +DOI VLQH ZDYH 5HVLVWDQFH ORDG								
6XUJH 1RQ UHSHWLWLYH)RUZDUG &XUHQW		\$	+] +DOI VLDQFH F\F,07D °C								
-XQFWLRQ 7HPSHUDWXUH									a	50	
6WRUDJH 7HPSHUDWXUH									a		

Electrical Characteristics (T= 25 Unless otherwise specified A

Item	Symbol	Unit	Test Condition	M							
				1	2	3	4	5	6	7	
3HDMVZDUG 9R0WD9H		9	, \$								
3HDMUVH &XUHQW	$\frac{550}{550}$	μS	$\frac{950}{9550}$						5		
7KHUPDO	5 - \$	°C :	%ZWHQ MXQFWLRQ DQG DPELHQW								
5HVLVWDQFH 7\SLFDO	5 - /		%HWZHHQ MXQFWLRQ DQG WHUPLQDO								

Notes:

7KHUPLQDO VLVWDQFH MXQFWLRQ WR DPELHQW DQG IURP MXQFWLRQ WR OHDG PRXQWHG SDG DUHDV

Typical Characteristics

FIG.1: FORWARD CURRENT DERATING CURVE

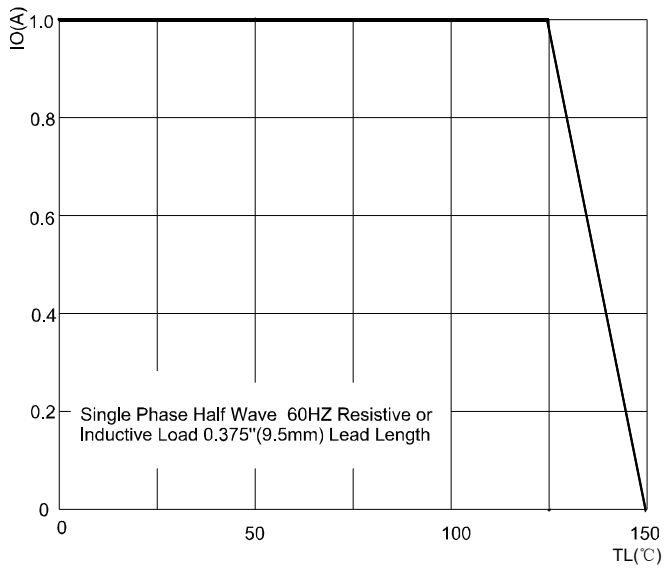


FIG.2 MAXIMUM NON-REPETITIVE FORWARD SURGE CURRENT

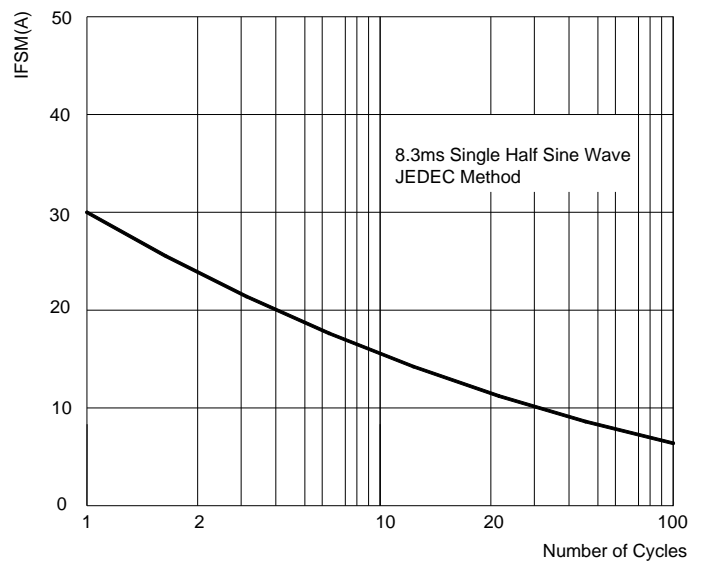


FIG.3: TYPICAL FORWARD CHARACTERISTICS

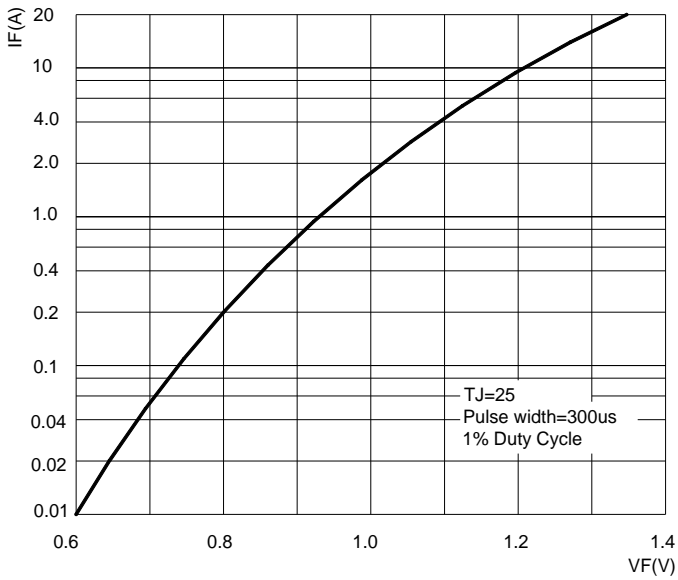
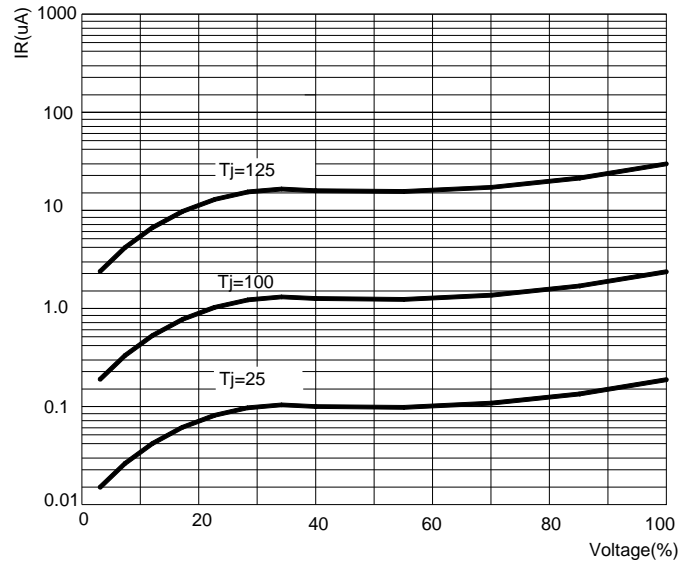
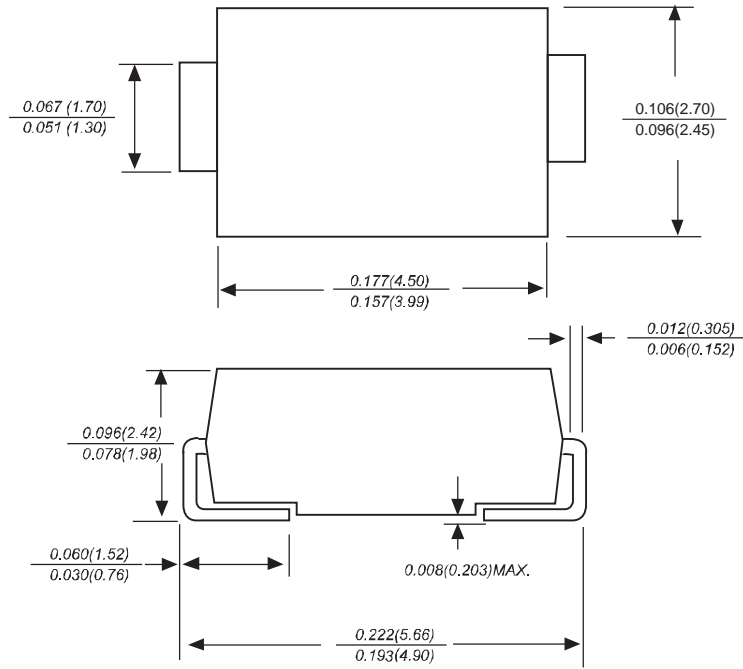


FIG.4: TYPICAL REVERSE CHARACTERISTICS

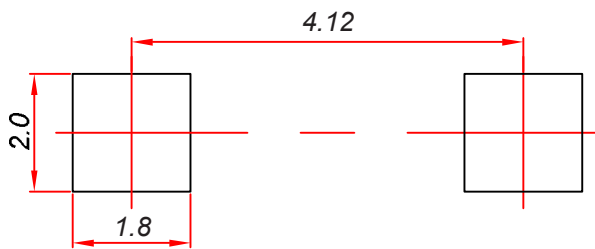


SMAG Package Outline Dimensions



Dimensions in inches and (millimeters)

SMAG Suggested Pad Layout



Note:

1. Controlling dimension: in millimeters.
2. General tolerance: ± 0.05 mm.
3. The pad layout is for reference purposes only.

127, & ()
 - 6 & - UHV is U & Hg t to make modifications, en ancements, impro ements, corrections or ot er
 c anges it out furt er notice to an product herein. S does not assume an lia ilit arising
 out of t e application or use of an product descri ed herein.

Reel Taping Specifications For Surface Mount Devices- SMAG

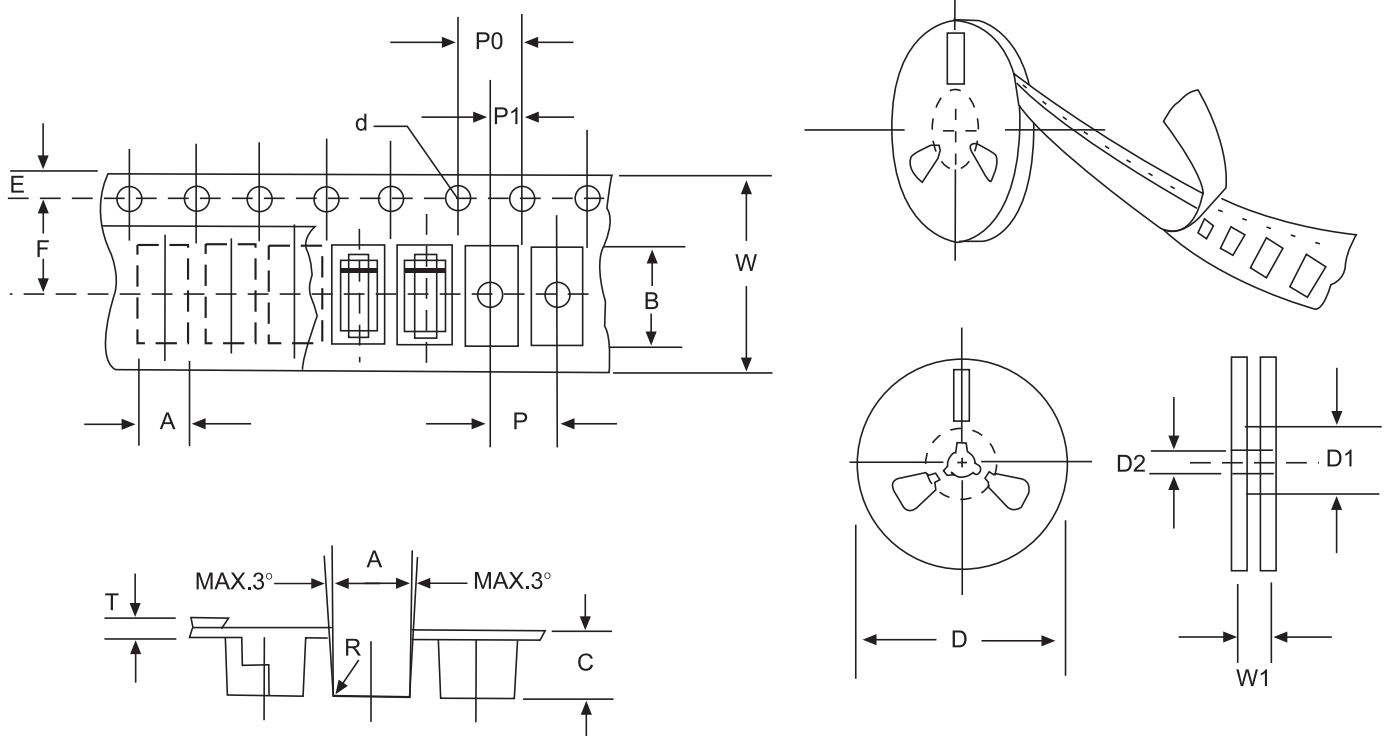


FIG: CONFIGURATION OF SURFACE MOUNTED DEVICES TAPING

ITEM	SYMBOL	SMAG mm(inch)
Carrier width	A	2.79±0.1(0.110±0.004)
Carrier length	B	5.33±0.1(0.210±0.004)
Carrier depth	C	2.36±0.1(0.093±0.004)
Sprocket hole	d	1.55±0.05(0.061±0.002)
Reel outside diameter	D	279±2.0 (11± 0.079)
Reel inner diameter	D1	75 ±1.0 (2.95 ±0.039)
Feed hole diameter	D2	13±0.5(0.512±0.020)
Sprocket hole position	E	1.75±0.1(0.069±0.004)
Punch hole position	F	5.5±0.05(0.217±0.002)
Punch hole pitch	P	4.0±0.1(0.157±0.004)
Sprocket hole pitch	P0	4.0±0.1(0.157±0.004)
Embossment center	P1	2.0±0.1(0.079±0.004)
Totall tape thickness	T	0.28±0.02(0.011 ±0.0008)
Tape width	W	12.0±0.2(0.472±0.008)
Reel width	W1	16.8±2.0(0.661±0.079)

NOTE: Devices are packed in accordance with EIA standard RS-481-A and specification given above.